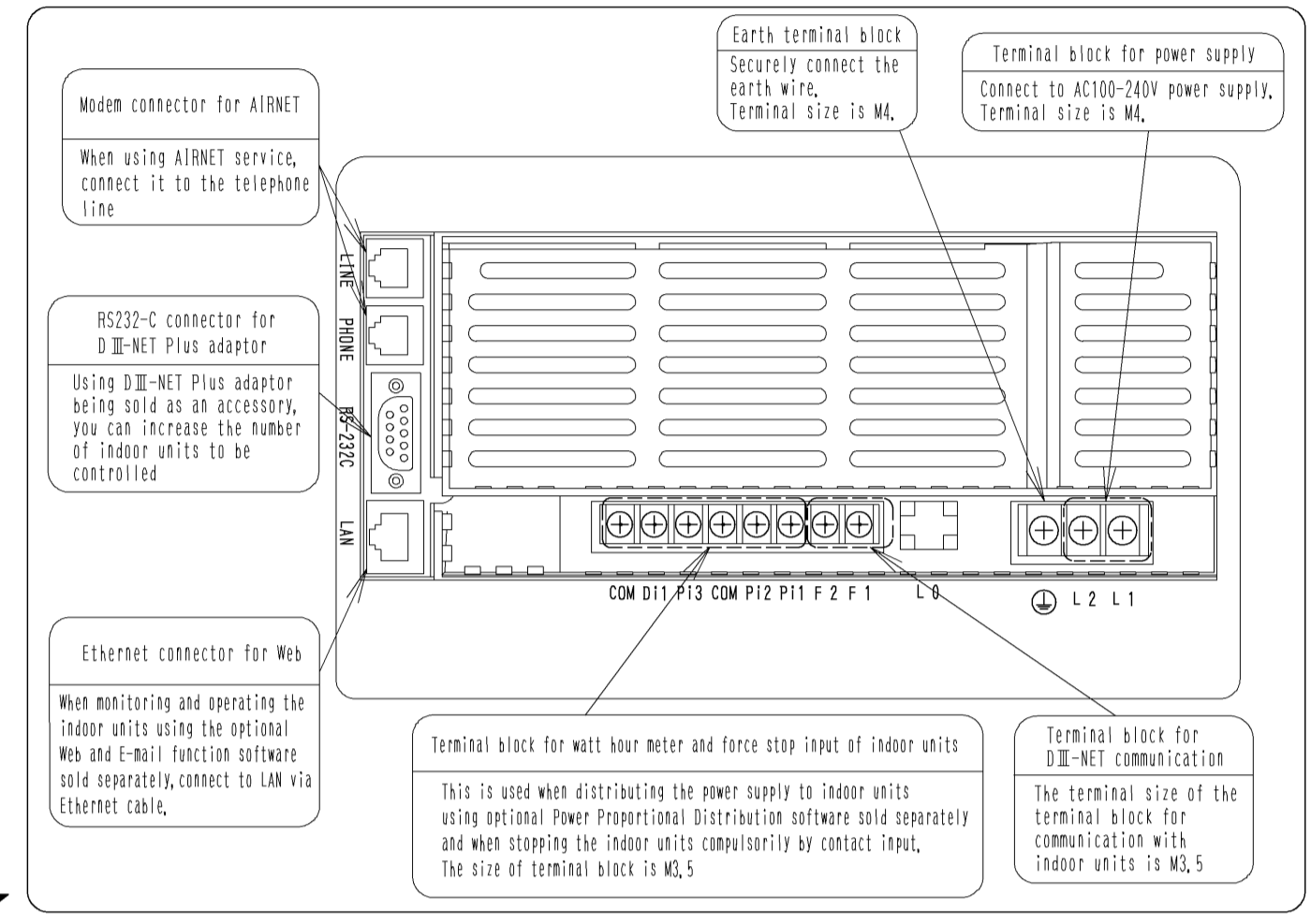


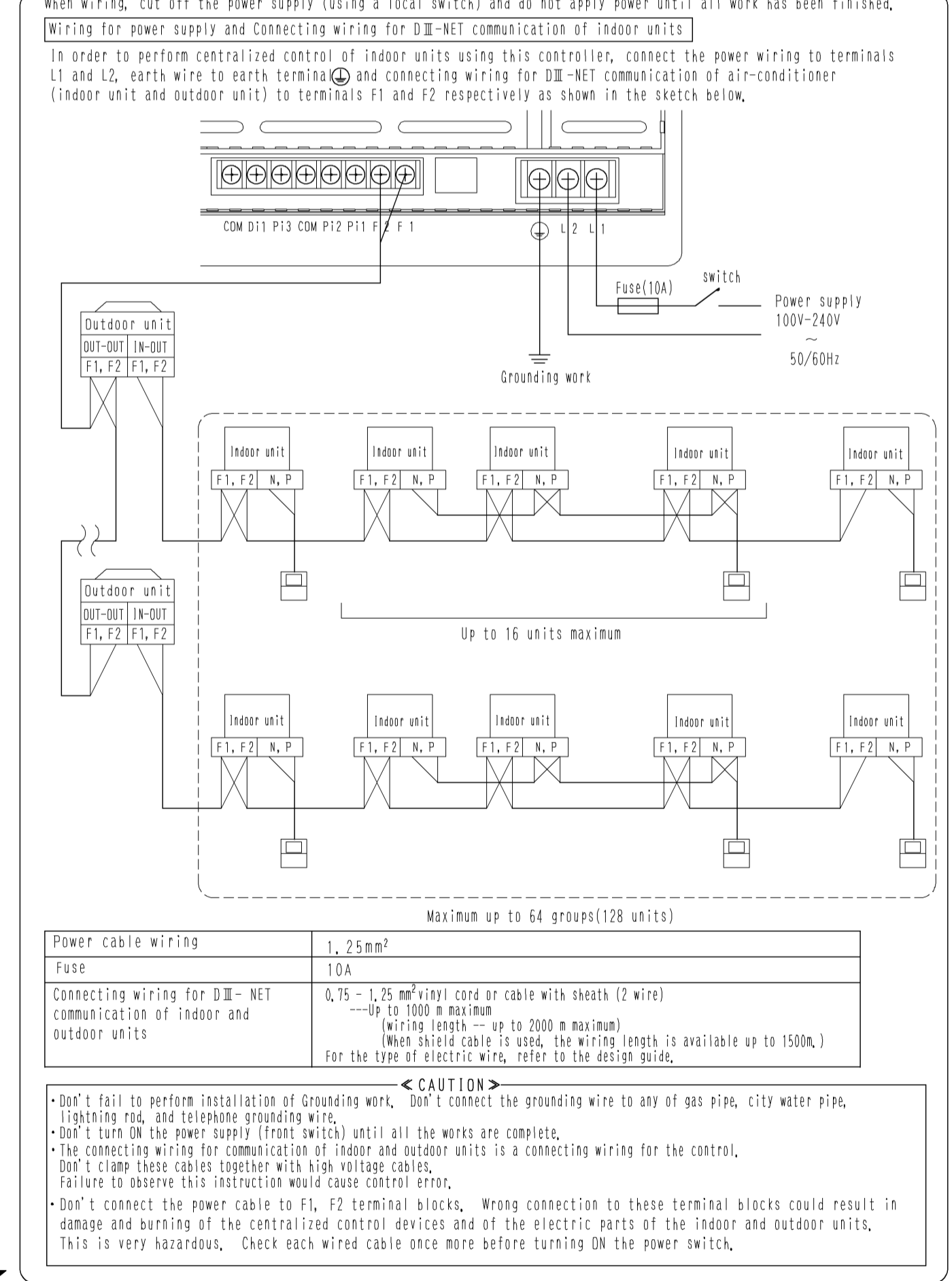


| 品番<br>ITEM NO. | 記号<br>ITEM MARK | 図面番<br>DWG. NO.   | 名称<br>PART NAME                                   | 材質<br>MATERIAL | 備考<br>REMARK |
|----------------|-----------------|-------------------|---|----------------|--------------|
| 1              |                 | 本図ニヨル<br>THIS DWG | 1 T.C.操作説明書(裏)<br>INSTALLATION MANUAL (BACK SIDE) | 上質紙55g/㎡       |              |

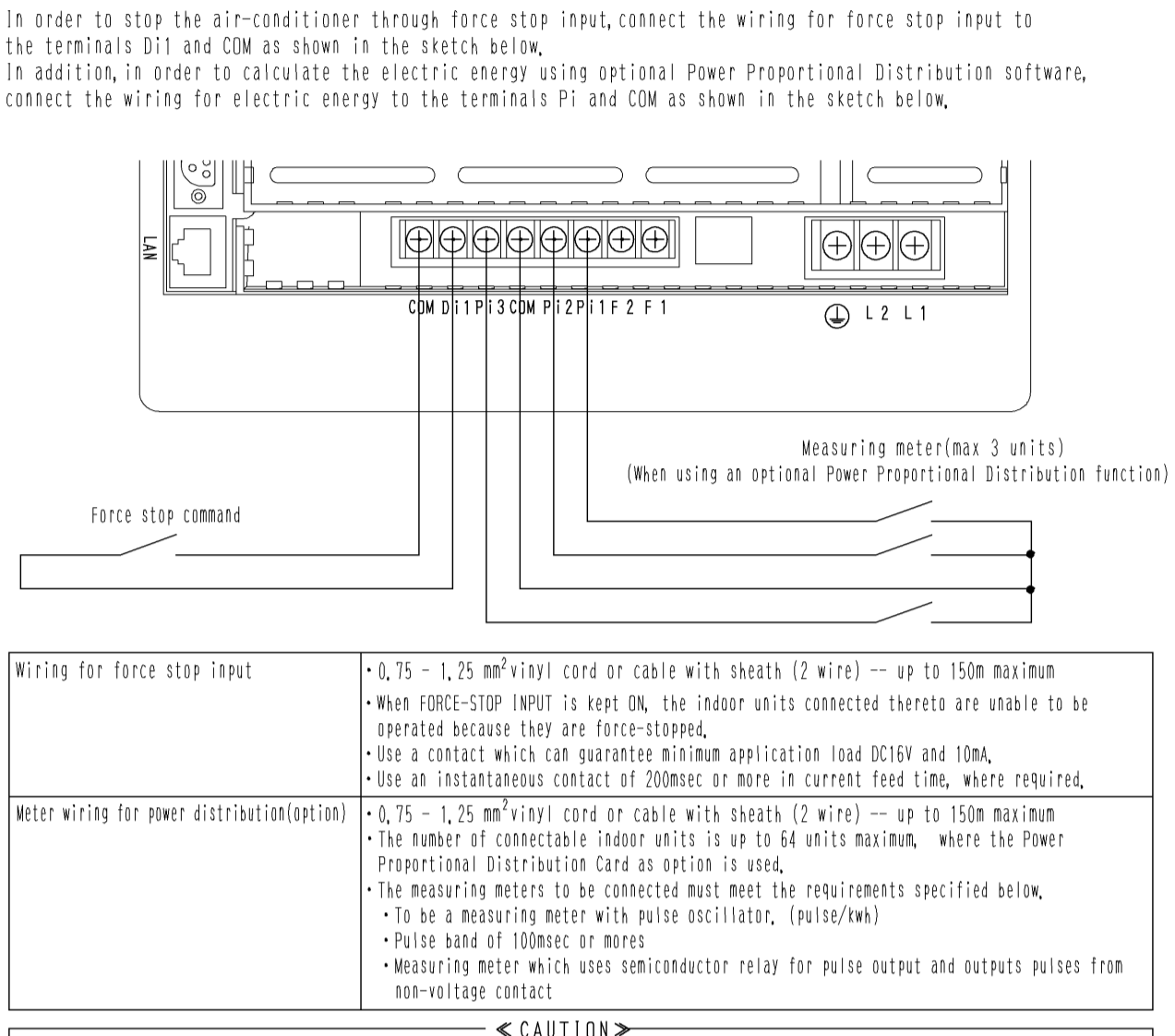
### 3 Names of the rear terminals and their function



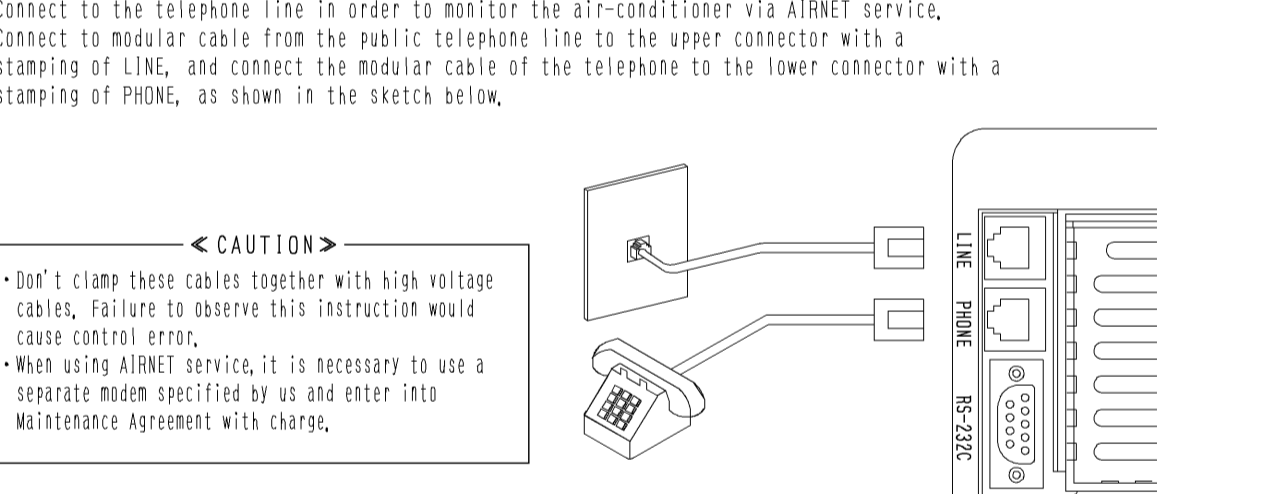
### 4 Electric Wiring Connection



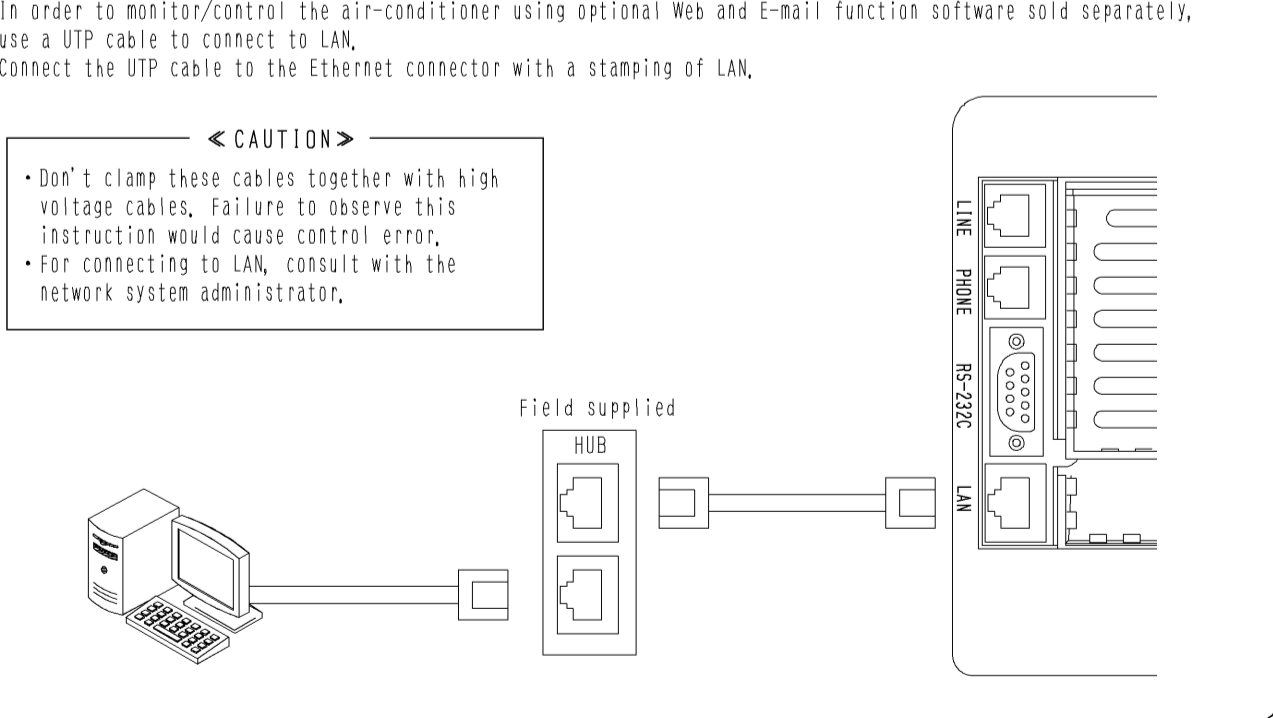
### Wiring for force stop input and for electric power distribution



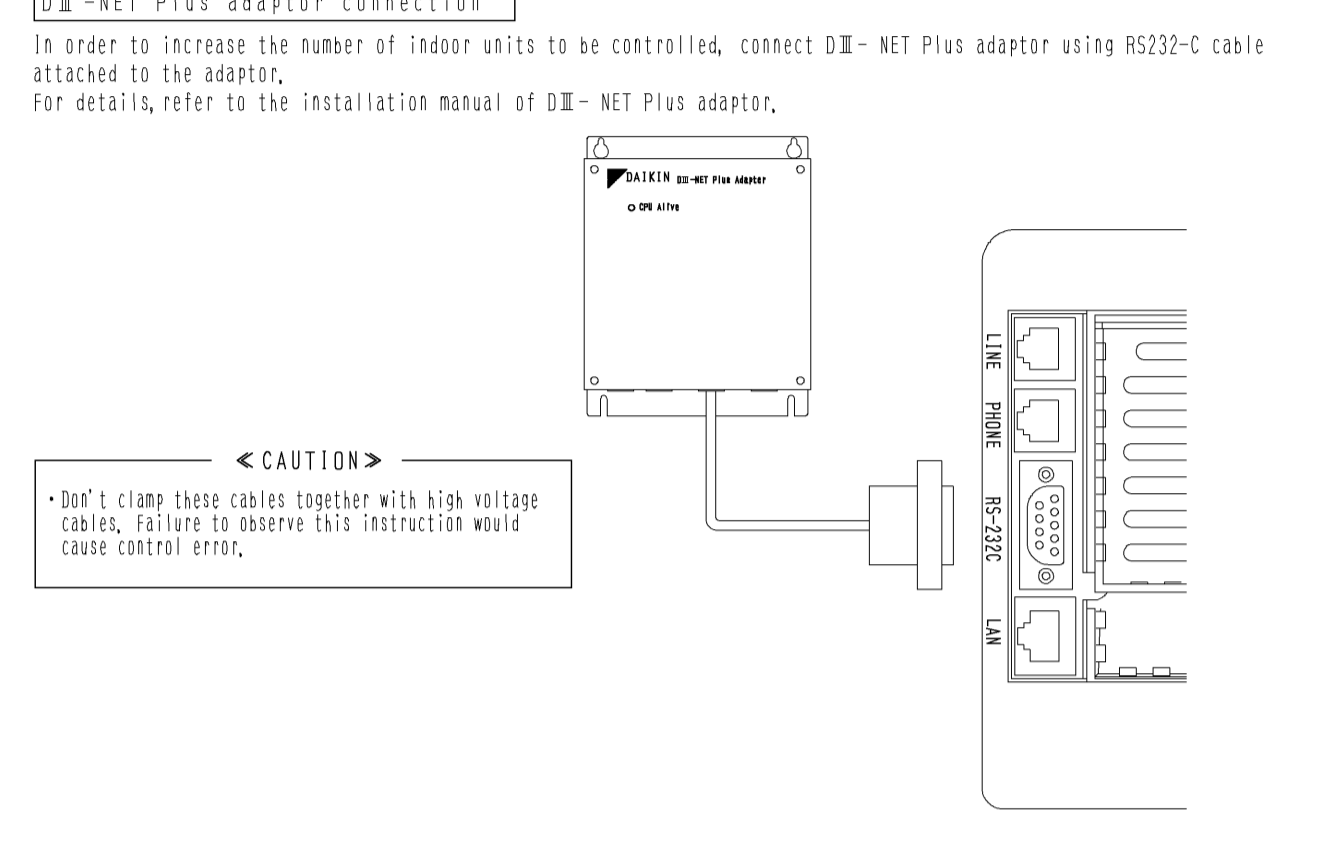
### Connection to public telephone line



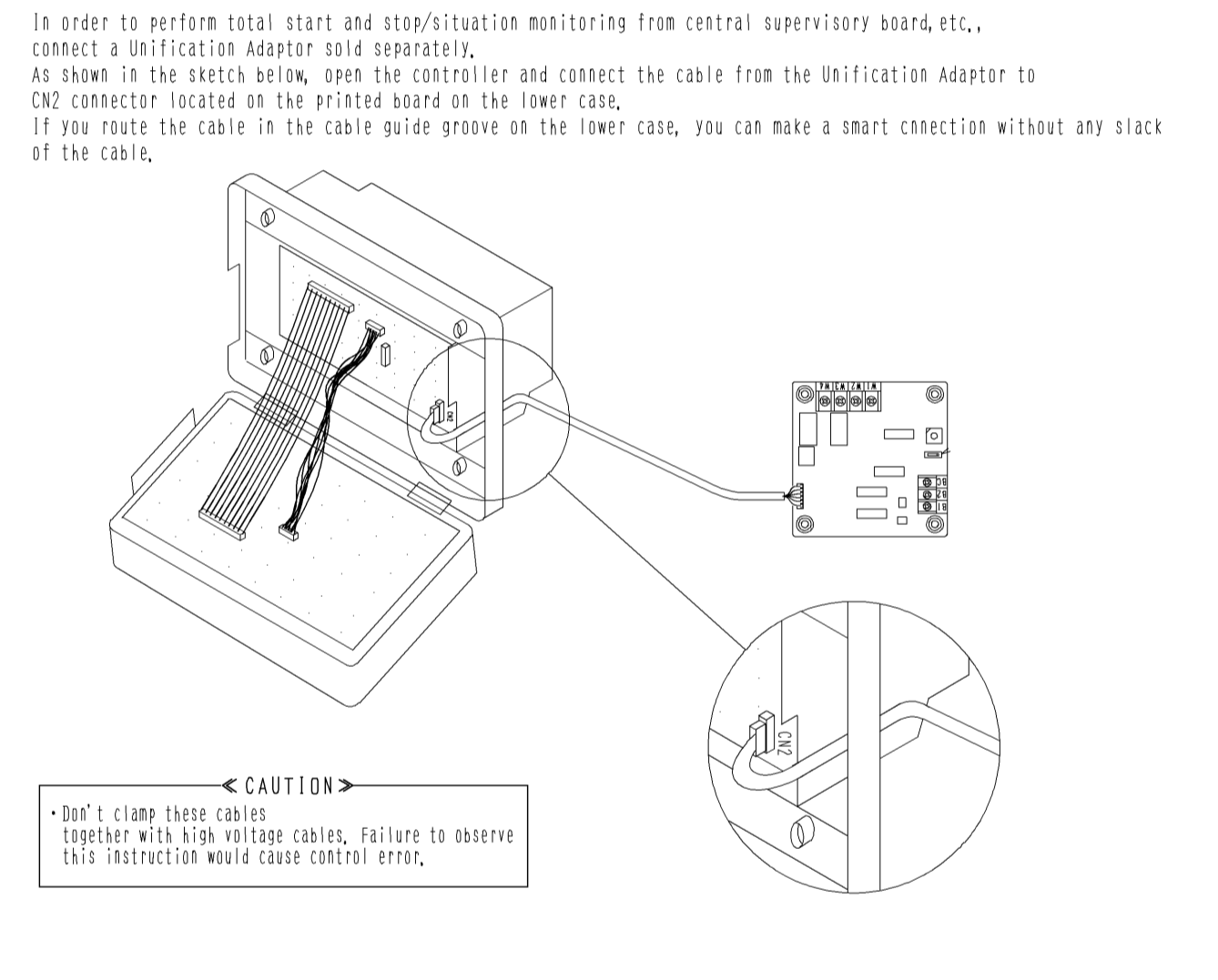
### Connection to LAN



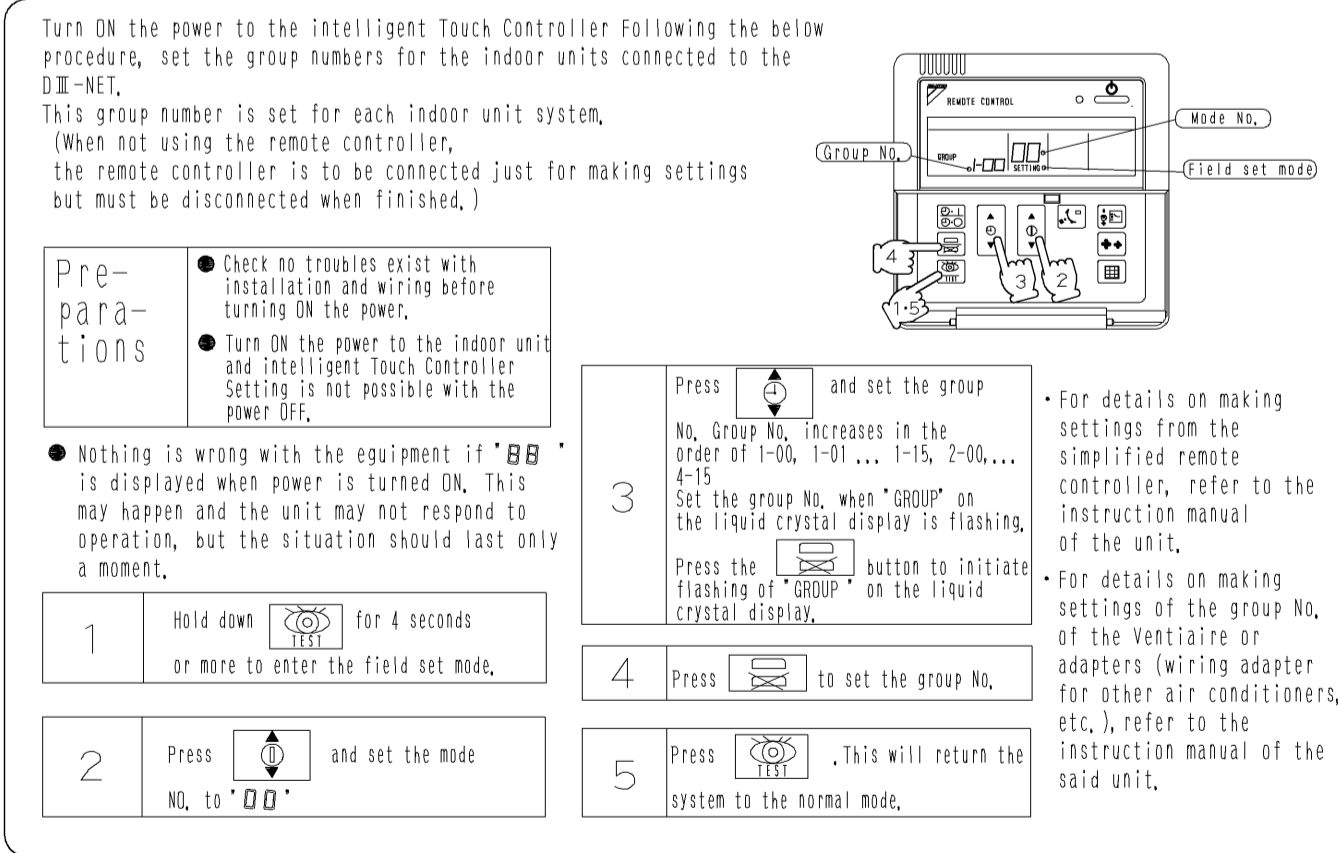
### DII-NET Plus adaptor connection



### Connector for Unification Adaptor



### 5 Setting group No. for centralized control



- 注) 1. 紙ノキサハ、594×420トスルコト。  
SIZE OF PAPER IS 594×420.
2. 色ハ、全テ黒色トスルコト。  
USE ONLY BLACK.
3. 本図ニ関シテ版下提供有トスル。  
BLOCK COPY WILL BE SUPPLIED.
4. 指示ナキ箇所ハAS303004、AS30013ニヨルコト。  
REFER TO AS303004, AS30013 UNLESS OTHERWISE SPECIFIED.
5. A5サイズニ折ッテ納品ノコト。  
THIS INSTALLATION MANUAL MUST BE DELIVERED AFTER HAVING BEEN FOLDED TO A5 SIZE
- △ 追加

補用先: 寄・機  
INTERCHANGEABILITY TEL. NO. BNO41275C 04/11/18

作業性改善ノタメ  
FOR IMPROVEMENT OF WORKABILITY

DCS601C51  
新設計機(裏)  
INTELLIGENT TOUCH CUTROLLE

INSTALLATION MANUAL  
(BACK SIDE)

DAIKIN INDUSTRIES LTD. SCALE

承認 照査 設計 製図  
CHECKED DESIGNED DRAWN

作成日 DATE 04. 11. 16  
部品コード PART CODE JA 9.4.2.50.0

1P153198A

| 品番<br>ITEM | 塗装箇所<br>PLACE | 塗装種別<br>PAINT | 地<br>FOUND | 工程<br>PROCESS | 仕上色<br>COLOR | 艶<br>GLOSS | 塗装(マタハ備考)<br>REMARK | 公差<br>TOLERANCE     |
|------------|---------------|---------------|------------|---------------|--------------|------------|---------------------|---------------------|
| AS303004   |               |               |            |               |              |            |                     | 公差<br>NOT INDICATED |
| AS30013    |               |               |            |               |              |            |                     |                     |