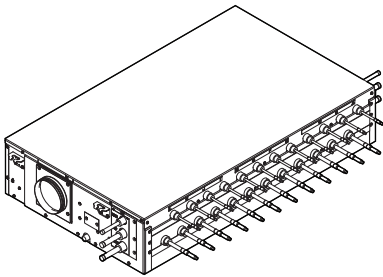




Installation and operation manual

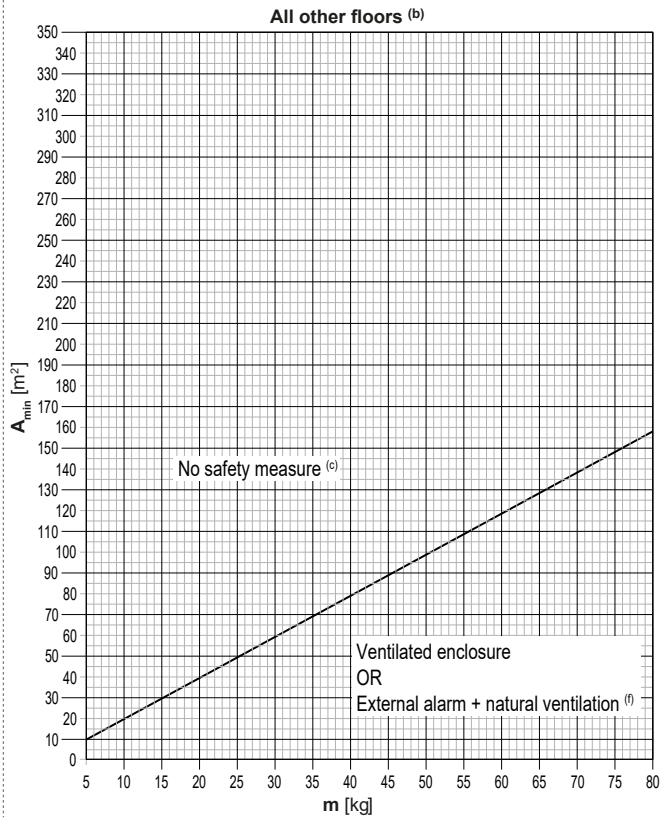
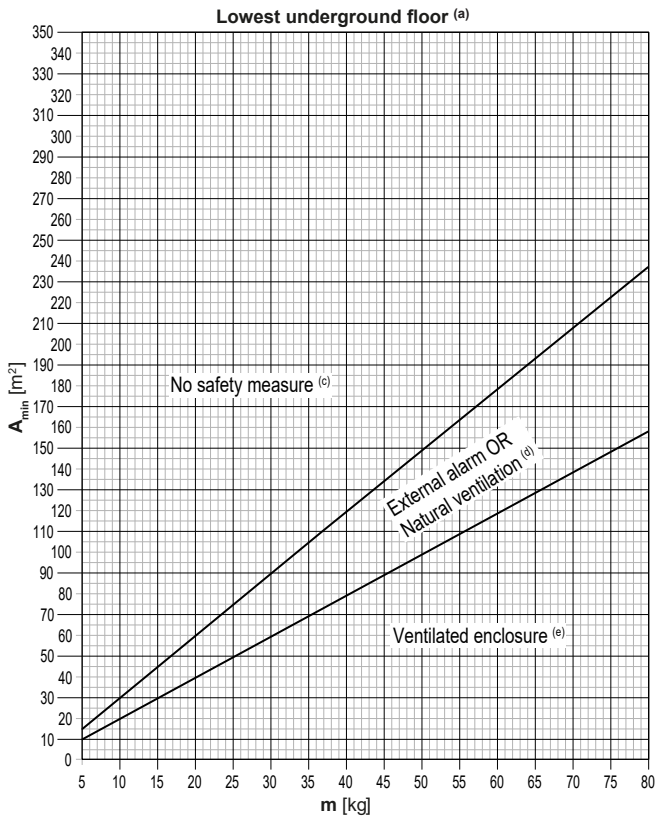
VRV 5 branch selector unit



BS4A14AJV1B9
BS6A14AJV1B9
BS8A14AJV1B9
BS10A14AJV1B9
BS12A14AJV1B9

Installation and operation manual
VRV 5 branch selector unit

English



m [kg]	A_{min} [m ²]		
	Lowest underground floor (a)		All other floors (b)
	No safety measure (c)	External alarm OR Natural Ventilation (d)	No safety measure (c)
5	15	10	10
6	18	12	12
7	21	14	14
8	24	16	16
9	27	18	18
10	30	20	20
11	33	22	22
12	36	24	24
13	39	26	26
14	42	28	28
15	45	30	30
16	48	32	32
17	51	34	34
18	54	36	36
19	57	38	38
20	60	40	40
21	63	42	42
22	66	44	44
23	69	46	46
24	72	48	48
25	75	50	50
26	77	52	52
27	80	54	54
28	83	56	56
29	86	58	58
30	89	60	60
31	92	62	62
32	95	64	64
33	98	66	66
34	101	68	68
35	104	70	70
36	107	72	72
37	110	74	74
38	113	76	76
39	116	77	77
40	119	79	79
41	122	81	81
42	125	83	83

m [kg]	A_{min} [m ²]		
	Lowest underground floor (a)		All other floors (b)
	No safety measure (c)	External alarm OR Natural Ventilation (d)	No safety measure (c)
43	128	85	85
44	131	87	87
45	134	89	89
46	137	91	91
47	140	93	93
48	143	95	95
49	146	97	97
50	149	99	99
51	152	101	101
52	154	103	103
53	157	105	105
54	160	107	107
55	163	109	109
56	166	111	111
57	169	113	113
58	172	115	115
59	175	117	117
60	178	119	119
61	181	121	121
62	184	123	123
63	187	125	125
64	190	127	127
65	193	129	129
66	196	131	131
67	199	133	133
68	202	135	135
69	205	137	137
70	208	139	139
71	211	141	141
72	214	143	143
73	217	145	145
74	220	147	147
75	223	149	149
76	226	151	151
77	229	153	153
78	231	154	154
79	234	156	156
80	237	158	158

Table of contents

1	About this document	4			
2	Specific installer safety instructions	4			
2.1	Instructions for equipment using R32 refrigerant.....	6			
For the user		6			
3	User safety instructions	6			
3.1	General.....	6			
3.2	Instructions for safe operation	7			
4	About the system	9			
4.1	System layout.....	9			
5	Before operation	9			
6	Maintenance and service	10			
6.1	Precautions for maintenance and service	10			
6.2	Periodic check of the ventilated enclosure	10			
6.3	About the refrigerant.....	10			
6.3.1	About the refrigerant leakage sensor.....	10			
7	Troubleshooting	10			
7.1	Symptoms that are NOT system malfunctions	11			
7.1.1	Symptom: noise	11			
8	Relocation	11			
9	Disposal	11			
For the installer		11			
10	About the box	11			
10.1	To remove the accessories	12			
11	About the unit and options	12			
11.1	Identification	12			
11.1.1	Identification label: BS unit.....	12			
11.2	About the operation range.....	12			
11.3	System layout.....	12			
11.4	Combining units and options	12			
11.4.1	About combining units and options.....	12			
11.4.2	Possible options for the BS unit.....	12			
12	Special requirements for R32 units	13			
12.1	Installation space requirements.....	13			
12.2	System layout requirements	13			
12.3	To determine the required safety measures.....	13			
12.3.1	Overview: flowchart.....	15			
12.4	Safety measures.....	16			
12.4.1	No safety measure.....	16			
12.4.2	External alarm.....	16			
12.4.3	Natural ventilation	16			
12.4.4	Ventilated enclosure	17			
12.4.5	Overview: flowchart.....	21			
12.5	Combinations of ventilated enclosure configurations	22			
12.6	Combinations of safety measures	22			
13	Unit installation	22			
13.1	Preparing the installation site	23			
13.1.1	Installation site requirements of the unit	23			
13.2	Possible configurations.....	24			
13.3	Opening and closing the unit.....	25			
13.3.1	About opening the unit.....	25			
13.3.2	To open the unit.....	25			
13.3.3	To close the unit.....	25			
13.4	Mounting the unit.....	25			
13.4.1	To mount the unit.....	25			
13.4.2	To connect the drain piping.....	26			
13.4.3	To install the drain piping.....	27			
13.5	Installing the ventilation ducting.....	27			
13.5.1	To install the ducting.....	27			
13.5.2	To install the duct closing plate.....	27			
13.5.3	To switch the air in- and outlet side	28			
14	Piping installation	30			
14.1	Installation limitations	30			
14.1.1	Piping installation limitation	31			
14.2	Preparing refrigerant piping	31			
14.2.1	Refrigerant piping requirements.....	31			
14.2.2	Refrigerant piping material.....	31			
14.2.3	Refrigerant piping insulation	31			
14.3	Connecting the refrigerant piping	31			
14.3.1	To connect the refrigerant piping	31			
14.3.2	Joining branch pipe ports.....	32			
14.4	To insulate the refrigerant piping	32			
15	Electrical installation	32			
15.1	Specifications of standard wiring components	33			
15.2	To connect the electrical wiring	33			
15.3	To finish the electrical wiring	35			
15.4	To set the DIP switches.....	35			
15.5	To connect the external outputs	35			
16	Configuration	36			
16.1	Making field settings.....	36			
16.1.1	About making field settings.....	36			
16.1.2	To access the field setting components.....	36			
16.1.3	Field setting components	37			
16.1.4	To access mode 1 or 2	37			
16.1.5	To use mode 1.....	37			
16.1.6	To use mode 2.....	38			
16.1.7	Mode 1: monitoring settings.....	38			
16.1.8	Mode 2: field settings	38			
17	Commissioning	40			
17.1	Checklist before commissioning.....	40			
17.2	BS unit test run.....	40			
17.2.1	About the BS unit test run	40			
17.2.2	About airflow requirements	41			
17.2.3	About measuring the airflow rate	41			
17.2.4	Prerequisite checklist.....	41			
17.2.5	To perform a BS unit test run.....	42			
17.2.6	Troubleshooting during a BS unit test run.....	42			
17.3	System test run.....	42			
17.3.1	Checklist before commissioning	42			
17.3.2	System test run	42			
18	Hand-over to the user	42			
19	Maintenance and service	43			
19.1	Before the maintenance and service of the BS unit	43			
19.2	BS unit maintenance and service label	43			
20	Troubleshooting	43			
20.1	Solving problems based on error codes	43			
20.1.1	Error codes: Overview	43			
21	Disposal	43			
22	Technical data	43			
22.1	Wiring diagram	43			
23	Glossary	45			

1 About this document

1 About this document

WARNING

Make sure installation, servicing, maintenance, repair and applied materials follow the instructions from Daikin (including all documents listed in "Documentation set") and, in addition, comply with applicable legislation and are performed by qualified persons only. In Europe and areas where IEC standards apply, EN/IEC 60335-2-40 is the applicable standard.

Target audience

Authorised installers + end users

INFORMATION

This appliance is intended to be used by expert or trained users in shops, in light industry and on farms, or for commercial use by lay persons.

Documentation set

This document is part of a documentation set. The complete set consists of:

- **General safety precautions:**
 - Safety instructions that you must read before installing
 - Format: Paper (in the box of the BS unit)
- **BS unit installation and operation manual:**
 - Installation and operation instructions
 - Format: Paper (in the box of the BS unit)
- **Installer and user reference guide:**
 - Preparation of the installation, reference data,...
 - Detailed step-by-step instructions and background information for basic and advanced usage
 - Format: Digital files on <https://www.daikin.eu>. Use the search function 🔍 to find your model.

The latest revision of the supplied documentation is published on the regional Daikin website and is available via your dealer.

The original instructions are written in English. All other languages are translations of the original instructions.

Technical engineering data

- A **subset** of the latest technical data is available on the regional Daikin website (publicly accessible).
- The **full set** of the latest technical data is available on the Daikin Business Portal (authentication required).

2 Specific installer safety instructions

Always observe the following safety instructions and regulations.

Unit installation (see "[13 Unit installation](#)" ▶ 22))

DANGER: RISK OF ELECTROCUTION

Do NOT leave the unit unattended when the service cover is removed.

WARNING

The installation MUST comply with the requirements that apply to this R32 equipment. For more information, see "[12 Special requirements for R32 units](#)" ▶ 13].

WARNING

The fixing method of the unit MUST be in accordance with the instructions from this manual. See "[13.4 Mounting the unit](#)" ▶ 25].

WARNING

Follow the service space dimensions in this manual to install the unit correctly. See "[13.1.1 Installation site requirements of the unit](#)" ▶ 23].

WARNING

In case the safety measures require a ventilated enclosure, respect the following:

- Auxiliary devices which may be a potential ignition source shall not be installed in the ductwork (example: hot surfaces with a temperature exceeding 700°C and electric switching devices).
- Only auxiliary devices (example: extraction fan) approved by the manufacturer are used in the ductwork.

WARNING

If the ventilated enclosure safety measure is applied, the BS unit must have its own ductwork and extraction fan. Do NOT combine this ductwork with ducting for other purposes.

WARNING

Do NOT install operating ignition sources (example: open flames, an operating gas appliance or an operating electric heater) in the ductwork.

WARNING

In case the unit is installed in an airtight false ceiling, an opening in the false ceiling is required in the vicinity of the unit.

WARNING

The appliance shall be stored/installed as follows:

- in such a way as to prevent mechanical damage.
- in a well-ventilated room without continuously operating ignition sources (example: open flames, an operating gas appliance or an operating electric heater).
- in a room with dimensions as specified in "[12 Special requirements for R32 units](#)" ▶ 13].

CAUTION

Appliance is NOT accessible to the general public. Install it in a secured area, protected from easy access.

This unit is suitable for installation in a commercial and light industrial environment.

CAUTION

This equipment is NOT intended for use in residential locations and will NOT guarantee to provide adequate protection to radio reception in such locations.

CAUTION

If the metal duct passes through a metal lath, wire lath or metal plate of the wooden structure, separate the duct and wall electrically.

Refrigerant piping installation (see "[14 Piping installation](#)" ▶ 30))

DANGER: RISK OF BURNING/SCALDING

WARNING

Field piping MUST be in accordance with the instructions from this manual. See "[14 Piping installation](#)" ▶ 30].

2 Specific installer safety instructions



WARNING

Take sufficient precautions in case of refrigerant leakage. If refrigerant gas leaks, ventilate the area immediately. Possible risks:

- Excessive refrigerant concentrations in a closed room can lead to oxygen deficiency.
- Toxic gas might be produced if refrigerant gas comes into contact with fire.



WARNING

During tests, NEVER pressurise the product with a pressure higher than the maximum allowable pressure (as indicated on the nameplate of the unit).



WARNING

Bent header or branch pipes can lead to refrigerant leakage. **Possible consequence:** asphyxiation, suffocation and fire.

- NEVER bend the branch and header pipes sticking out of the unit. They have to remain straight.
- ALWAYS support the branch and header pipes at a distance of 1 m from the unit.



WARNING

Overheated insulation can start to burn. **Possible consequence:** fire.

- When performing brazing work header or branch pipes, cool all other header and branch pipes by wrapping them in wet cloths.



CAUTION

Install the refrigerant piping or components in a position where they are unlikely to be exposed to any substance which may corrode components containing refrigerant, unless the components are constructed of materials that are inherently resistant to corrosion or are suitably protected against corrosion.



CAUTION

- Do NOT use mineral oil on flared part.
- Do NOT reuse piping from previous installations.
- NEVER install a drier to this unit to guarantee its lifetime. The drying material may dissolve and damage the system.

Electrical installation (see "[15 Electrical installation](#)" [▶ 32])



DANGER: RISK OF ELECTROCUTION



DANGER: RISK OF ELECTROCUTION

Before performing work on the unit, disconnect any power source connected to the unit.



WARNING

If the supply cord is damaged, it MUST be replaced by the manufacturer, its service agent or similarly qualified persons in order to avoid a hazard.



WARNING

Electrical wiring MUST be in accordance with the instructions from this manual. See "[15 Electrical installation](#)" [▶ 32].



WARNING

- All wiring MUST be performed by an authorised electrician and MUST comply with the national wiring regulation.
- Make electrical connections to the fixed wiring.
- All components procured on-site and all electrical construction MUST comply with the applicable legislation.



WARNING

- If the power supply has a missing or wrong N-phase, equipment might break down.
- Establish proper earthing. Do NOT earth the unit to a utility pipe, surge absorber, or telephone earth. Incomplete earthing may cause electrical shocks.
- Install the required fuses or circuit breakers.
- Secure the electrical wiring with cable ties so that the cables do NOT come into contact with sharp edges or piping, particularly on the high-pressure side.
- Do NOT use taped wires, extension cords, or connections from a star system. They can cause overheating, electrical shocks or fire.



WARNING

ALWAYS use multicore cable for power supply cables.



WARNING

Use an all-pole disconnection type breaker with at least 3 mm between the contact point gaps that provides full disconnection under overvoltage category III.



WARNING

The electrical components shall only be replaced with parts specified by the appliance manufacturer. Replacement with other parts may result in the ignition of refrigerant in the event of a leak.



WARNING

The appliance MUST be installed in accordance with national wiring regulations.



CAUTION

Do NOT push or place redundant cable length into the unit.



CAUTION

Be careful NOT to pinch cables between the service cover and the switch box.

Commissioning (see "[17 Commissioning](#)" [▶ 40])



WARNING

Commissioning MUST be in accordance with the instructions from this manual. See "[17 Commissioning](#)" [▶ 40].



CAUTION

Do NOT perform the test operation while working on the indoor unit(s).

When performing the test operation, NOT ONLY the outdoor unit, but the connected indoor unit will operate as well. Working on an indoor unit while performing a test operation is dangerous.



CAUTION

Do NOT insert fingers, rods or other objects into the air inlet (damper).

3 User safety instructions

Troubleshooting (see "[20 Troubleshooting](#)" ▶ 43))



DANGER: RISK OF ELECTROCUTION



DANGER: RISK OF BURNING/SCALDING



WARNING

Prevent hazards due to inadvertent resetting of the thermal cut-out: power to this appliance **MUST NOT** be supplied through an external switching device, such as a timer, or connected to a circuit that is regularly turned ON and OFF by the utility.



WARNING

- When carrying out an inspection on the switch box of the unit, **ALWAYS** make sure that the unit is disconnected from the mains. Turn off the respective circuit breaker.
- When a safety device was activated, stop the unit and find out why the safety device was activated before resetting it. **NEVER** shunt safety devices or change their values to a value other than the factory default setting. If you are unable to find the cause of the problem, call your dealer.

2.1 Instructions for equipment using R32 refrigerant



A2L

WARNING: MILDLY FLAMMABLE MATERIAL

The refrigerant inside this unit is mildly flammable.



WARNING

- Do **NOT** pierce or burn refrigerant cycle parts.
- Do **NOT** use cleaning materials or means to accelerate the defrosting process other than those recommended by the manufacturer.
- Be aware that the refrigerant inside the system is odourless.



WARNING

The appliance shall be stored/installed as follows:

- in such a way as to prevent mechanical damage.
- in a well-ventilated room without continuously operating ignition sources (example: open flames, an operating gas appliance or an operating electric heater).
- in a room with dimensions as specified in "[12 Special requirements for R32 units](#)" ▶ 13].



WARNING

Make sure installation, servicing, maintenance and repair comply with instructions from Daikin and with applicable legislation (for example national gas regulation) and are executed **ONLY** by authorised persons.



WARNING

Refrigerant sensors of the refrigerant detection system shall only be replaced with refrigerant sensors specified by the appliance manufacturer.



WARNING

- Take precautions to avoid excessive vibration or pulsation to refrigeration piping.
- Protect the protection devices, piping and fittings as much as possible against adverse environmental effects.
- Provide space for expansion and contraction of long runs of piping.
- Design and install piping in refrigerating systems such as to minimise the likelihood of hydraulic shock damaging the system.
- Mount the indoor equipment and pipes securely and protect them to avoid accidental rupture of equipment or pipes in case of events such as moving furniture or reconstruction activities.



WARNING

Safety shut-off valves shall not be reset until the room has been ventilated. Resetting may result in additional flammable refrigerant to be released into the room.



CAUTION

Do **NOT** use potential sources of ignition in searching for or detection of refrigerant leaks.



NOTICE

- Do **NOT** re-use joints and copper gaskets which have been used already.
- Joints made in the installation between parts of the refrigerant system shall be accessible for maintenance purposes.

See "[12.3 To determine the required safety measures](#)" ▶ 13] to check if your system meets the R32 safety requirements.

For the user

3 User safety instructions

Always observe the following safety instructions and regulations.

3.1 General



WARNING

If you are **NOT** sure how to operate the unit, contact your installer.



WARNING

This appliance can be used by children aged from 8 years and above and persons with reduced physical, sensory or mental capabilities or lack of experience and knowledge if they have been given supervision or instruction

concerning use of the appliance in a safe way and understand the hazards involved.

Children **SHALL NOT** play with the appliance.

Cleaning and user maintenance **SHALL NOT** be made by children without supervision.

 **WARNING**

To prevent electrical shocks or fire:

- Do NOT rinse the unit.
- Do NOT operate the unit with wet hands.
- Do NOT place any objects containing water on the unit.

 **CAUTION**

- Do NOT place any objects or equipment on top of the unit.
- Do NOT sit, climb or stand on the unit.

- Units are marked with the following symbol:



This means that electrical and electronic products may NOT be mixed with unsorted household waste. Do NOT try to dismantle the system yourself: dismantling the system, treatment of the refrigerant, of oil and of other parts **MUST** be done by an authorised installer and **MUST** comply with applicable legislation.

Units **MUST** be treated at a specialised treatment facility for reuse, recycling and recovery. By ensuring this product is disposed of correctly, you will help to prevent potential negative consequences for the environment and human health. For more information, contact your installer or local authority.

- Batteries are marked with the following symbol:



This means that the batteries may NOT be mixed with unsorted household waste. If a chemical symbol is printed beneath the symbol, this chemical symbol means that the battery contains a heavy metal above a certain concentration.

Possible chemical symbols are: Pb: lead (>0.004%).

Waste batteries **MUST** be treated at a specialised treatment facility for reuse. By ensuring waste batteries are disposed of correctly, you will help to prevent potential negative consequences for the environment and human health.

3.2 Instructions for safe operation

 **WARNING**

Do NOT install operating ignition sources (example: open flames, an operating gas appliance or an operating electric heater) in the ductwork.

 **WARNING**

- Do NOT modify, disassemble, remove, reinstall or repair the unit yourself as incorrect dismantling or installation may cause an electrical shock or fire. Contact your dealer.
- In case of accidental refrigerant leaks, make sure there are no naked flames. The refrigerant itself is entirely safe, non-toxic and mildly flammable, but it will generate toxic gas when it accidentally leaks into a room where combustible air from fan heaters, gas cookers, etc. is present. Always have qualified service personnel confirm that the point of leakage has been repaired or corrected before resuming operation.

 **WARNING**

This unit contains electrical and hot parts.

 **WARNING**

Before operating the unit, be sure the installation has been carried out correctly by an installer.

 **WARNING**

Do NOT obstruct the opening of the air inlet (damper).

 **WARNING**

The unit is equipped with a refrigerant leak detection system for safety. To be effective, the unit **MUST** be electrically powered at all times after installation, except for short service periods.

3 User safety instructions

Maintenance and service (see "6 Maintenance and service" [p 10])

WARNING

The unit is equipped with a refrigerant leak detection system for safety. To be effective, the unit **MUST** be electrically powered at all times after installation, except for maintenance.

WARNING

NEVER replace a fuse with a fuse of a wrong ampere ratings or other wires when a fuse blows out. Use of wire or copper wire may cause the unit to break down or cause a fire.

WARNING

If the supply cord is damaged, it **MUST** be replaced by the manufacturer, its service agent or similarly qualified persons in order to avoid a hazard.

WARNING

Be careful with ladders when working in high places.

CAUTION

This unit is equipped with electrically powered safety measures. In order to be effective, the unit must be electrically powered at all times after installation, except for short service periods.

CAUTION

After a long use, check the unit stand and fitting for damage. If damaged, the unit may fall and result in injury.

CAUTION

Do **NOT** insert fingers, rods or other objects into the air inlet (damper).

CAUTION

Before accessing terminal devices, make sure to interrupt all power supply.

About the refrigerant (see "6.3 About the refrigerant" [p 10])

WARNING

- Do **NOT** pierce or burn refrigerant cycle parts.

- Do **NOT** use cleaning materials or means to accelerate the defrosting process other than those recommended by the manufacturer.
- Be aware that the refrigerant inside the system is odourless.

WARNING

- The refrigerant inside the unit is mildly flammable, but normally does **NOT** leak. If the refrigerant leaks in the room and comes in contact with fire from a burner, a heater, or a cooker, this may result in fire, or the formation of a harmful gas.
- Turn **OFF** any combustible heating devices, ventilate the room, and contact the dealer where you purchased the unit.
- Do **NOT** use the unit until a service person confirms that the part from which the refrigerant leaked has been repaired.

WARNING

The appliance shall be stored in a room without continuously operating ignition sources (example: open flames, an operating gas appliance or an operating electric heater).

WARNING

The R32 refrigerant leakage sensor must be replaced after every detection or at the end of its lifetime. **ONLY** authorised persons may replace the sensor.

WARNING

Refrigerant sensors of the refrigerant detection system shall only be replaced with refrigerant sensors specified by the appliance manufacturer.

Troubleshooting (see "7 Troubleshooting" ▶ 10)



WARNING

In case of a refrigerant leak, the system needs power to contain the problem.

1. Do NOT turn OFF the power supply.
2. Contact your dealer.

Possible consequence: Leaking refrigerant can lead to suffocation, asphyxiation and fire.

In case anything else unusual occurs (burning smells etc.):

1. Stop operation.
2. Shut OFF the power
3. Contact your dealer.

Possible consequence: Leaving the unit running under such circumstances may cause breakage, electrical shock or fire.



WARNING

Make sure installation, servicing, maintenance, repair and applied materials follow the instructions from Daikin (including all documents listed in "Documentation set") and, in addition, comply with applicable legislation and are performed by qualified persons only. In Europe and areas where IEC standards apply, EN/IEC 60335-2-40 is the applicable standard.

4 About the system



WARNING

- Do NOT modify, disassemble, remove, reinstall or repair the unit yourself as incorrect dismantling or installation may cause an electrical shock or fire. Contact your dealer.
- In case of accidental refrigerant leaks, make sure there are no naked flames. The refrigerant itself is entirely safe, non-toxic and mildly flammable, but it will generate toxic gas when it accidentally leaks into a room where combustible air from fan heaters, gas cookers, etc. is present. Always have qualified service personnel confirm that the point of leakage has been repaired or corrected before resuming operation.



WARNING

The unit is equipped with a refrigerant leak detection system for safety.

To be effective, the unit MUST be electrically powered at all times after installation, except for short service periods.



NOTICE

Do NOT use the system for other purposes. In order to avoid any quality deterioration, do NOT use the unit for cooling precision instruments, food, plants, animals, or works of art.



NOTICE

For future modifications or expansions of your system:

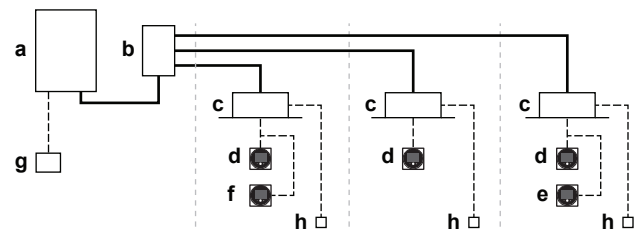
A full overview of allowable combinations (for future system extensions) is available in technical engineering data and should be consulted. Contact your installer to receive more information and professional advice.

4.1 System layout



INFORMATION

The following figure is an example and may NOT completely match your system layout.



- a Heat recovery outdoor unit
 - b Branch selector (BS)
 - c VRV direct expansion (DX) indoor unit
 - d Remote controller in **normal mode**
 - e Remote controller in **alarm only mode**
 - f Remote controller in **supervisor mode** (mandatory in some situations)
 - g Centralised controller (optional)
 - h Option PCB (optional)
- Refrigerant piping
 ---- Interconnection and user interface wiring

5 Before operation



CAUTION

See "3 User safety instructions" ▶ 6 to acknowledge all related safety instructions.



NOTICE

NEVER inspect or service the unit by yourself. Ask a qualified service person to perform this work.



NOTICE

Turn ON the power 6 hours before operation in order to have power running to the crankcase heater and to protect the compressor.

This operation manual is for the following systems with standard control. Before initiating operation, contact your dealer for the operation that corresponds to your system type and mark. If your installation has a customised control system, ask your dealer for the operation that corresponds to your system.

6 Maintenance and service

6 Maintenance and service

6.1 Precautions for maintenance and service



CAUTION

See "3 User safety instructions" [▶ 6] to acknowledge all related safety instructions.



NOTICE

NEVER inspect or service the unit by yourself. Ask a qualified service person to perform this work.



NOTICE

Maintenance MUST be done by an authorised installer or service agent.

We recommend performing maintenance at least once a year. However, applicable legislation might require shorter maintenance intervals.

Following symbols may occur on the indoor unit:

Symbol	Explanation
	Measure the voltage at the terminals of main circuit capacitors or electrical components before servicing.

6.2 Periodic check of the ventilated enclosure

In case a ventilated enclosure is used as a safety measure for the BS unit, the installer or service agent can check the airflow rate periodically to confirm that it still meets the requirements.

Note: The periodic airflow rate check can be disabled by changing the setting [2-58] "Maintenance cycle for BS unit AFR check" on the outdoor unit.

6.3 About the refrigerant



CAUTION

See "3 User safety instructions" [▶ 6] to acknowledge all related safety instructions.

This product contains fluorinated greenhouse gases. Do NOT vent gases into the atmosphere.

Refrigerant type: R32

Global warming potential (GWP) value: 675

Periodical inspections for refrigerant leaks may be required depending on the applicable legislation. Contact your installer for more information.



NOTICE

Applicable legislation on **fluorinated greenhouse gases** requires that the refrigerant charge of the unit is indicated both in weight and CO₂ equivalent.

Formula to calculate the quantity in CO₂ equivalent tonnes: GWP value of the refrigerant × total refrigerant charge [in kg]/1000

Contact your installer for more information.



WARNING

Safety shut-off valves shall not be reset until the room has been ventilated. Resetting may result in additional flammable refrigerant to be released into the room.

6.3.1 About the refrigerant leakage sensor



WARNING

The R32 refrigerant leakage sensor must be replaced after every detection or at the end of its lifetime. ONLY authorised persons may replace the sensor.



NOTICE

The R32 refrigerant leakage sensor is a semiconductor detector which may incorrectly detect substances other than R32 refrigerant. Avoid using chemical substances (e.g. organic solvents, hair spray, paint) in high concentrations, in the close proximity of the BS unit because this may cause misdetection by the R32 refrigerant leakage sensor.



NOTICE

Functionality of the safety measures are periodically automatically checked. In case of malfunction, an error code will be displayed on the user interface.



INFORMATION

The sensor has a lifetime of 10 years. The user interface displays error "CH-22" 6 months before the end of the sensor lifetime and error "CH-23" after the end of the sensor lifetime. For more information, see the reference guide of the user interface and contact your dealer.

In case of detection

- 1 The user interface of the indoor units connected to the BS unit displays error "A0-20".
- 2 If applicable, the safety measures of the BS unit are activated. These can be the following:
 - the external alarm emits a signal, or
 - the extraction fan and damper of the BS unit start operating in case of a ventilated enclosure.
- 3 Contact your dealer immediately. For more information, see the installation manual of the outdoor unit.



INFORMATION

To stop the alarm of the user interface, see the reference guide of the user interface.

7 Troubleshooting

If one of the following malfunctions occurs, take the measures shown below and contact your dealer.



WARNING

In case of a refrigerant leak, the system needs power to contain the problem.

1. Do NOT turn OFF the power supply.
2. Contact your dealer.

Possible consequence: Leaking refrigerant can lead to suffocation, asphyxiation and fire.

In case anything else unusual occurs (burning smells etc.):

1. Stop operation.
2. Shut OFF the power
3. Contact your dealer.

Possible consequence: Leaving the unit running under such circumstances may cause breakage, electrical shock or fire.

The system MUST be repaired by a qualified service person.

Malfunction	Measure
If the system does not operate at all.	Check if there is no power failure. Wait until power is restored. If power failure occurs during operation, the system automatically restarts immediately after power is restored.
	Check if no fuse has blown or breaker is activated. If necessary, change the fuse or reset the breaker.
	If the problem persists, contact your installer
If a refrigerant leak occurs (error code $R0$ / EH)	Actions will be taken by the system. Do NOT turn OFF the power supply.
	Contact your installer and report the error code.
If a safety device such as a fuse, a breaker or an earth leakage breaker frequently actuates.	Turn off the main power switch.
	Contact your installer
If water leaks from the unit.	Stop the operation.
	Contact your installer.
Other issues	Contact your installer. State the symptoms, the complete model name of the unit (with manufacturing number if possible) and the installation date (possibly listed on the warranty card).

After checking all the items above, if it is impossible to fix the problem yourself, contact your installer and state the symptoms, the complete model name of the unit (with manufacturing number if possible) and the installation date.

7.1 Symptoms that are NOT system malfunctions

The following symptoms are NOT system malfunctions:

7.1.1 Symptom: noise

- A "zeen" sound is heard immediately after the power supply is turned on. The electronic expansion valve inside the BS unit starts working and makes the noise. Its volume will reduce in about a minute.
- A continuous low hissing sound is heard when the system is in cooling or defrost operation. This is the sound of refrigerant gas flowing through the BS unit.
- A hissing sound originating from the 4-way valve in the outdoor unit which is heard at the start or immediately after stopping operation or defrost operation, or when switching from cooling to heating operation and vice versa.

8 Relocation

Contact your dealer to remove and reinstall the entire unit. Moving units requires technical expertise.

9 Disposal

This unit uses hydrofluorocarbon. Contact your dealer when discarding this unit. It is required by law to collect, transport and discard the refrigerant in accordance with the "hydrofluorocarbon collection and destruction" regulations.



NOTICE

Do NOT try to dismantle the system yourself: dismantling of the system, treatment of the refrigerant, oil and other parts MUST comply with applicable legislation. Units MUST be treated at a specialised treatment facility for reuse, recycling and recovery.

For the installer

10 About the box



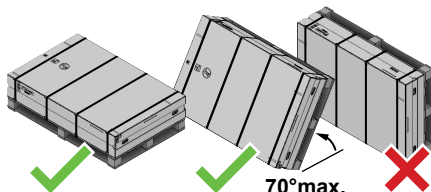
NOTICE

Before installation, check the packaging and parts for damage. Make sure that the shipment is complete.



NOTICE

When you carry or manipulate the unit, never tilt it more than 70 degrees in any direction.

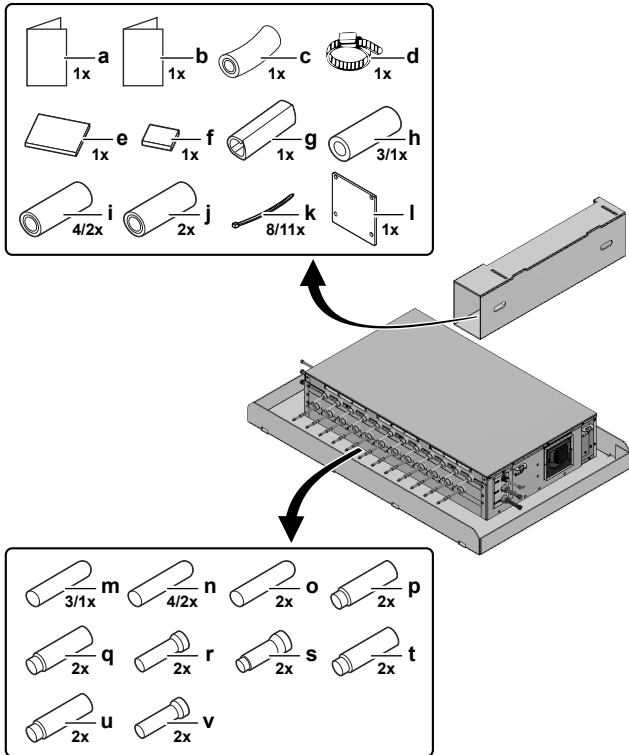


Keep the following in mind:

- At delivery, the unit MUST be checked for damage and completeness. Any damage or missing parts MUST be reported immediately to the claims agent of the carrier.
- Bring the packed unit as close as possible to its final installation position to prevent damage during transport.
- Prepare in advance the path along which you want to bring the unit to its final installation position.

11 About the unit and options

10.1 To remove the accessories



- a Installation and operation manual
- b General safety precautions
- c Drain hose
- d Metal clamp
- e Sealing material (large)
- f Sealing material (small)
- g Sealing material (thin sheet)
- h Insulation tube for stopper pipe $\varnothing 9.5$ mm (3× for BS4A, 1× for BS6~12A)
- i Insulation tube for stopper pipe $\varnothing 15.9$ mm (4× for BS4A, 2× for BS6~12A)
- j Insulation tube for stopper pipe $\varnothing 22.2$ mm
- k Tie wraps (8× for BS4A, 11× for BS6~12A)
- l Duct closing plate
- m Stopper pipe $\varnothing 9.5$ mm (3× for BS4A, 1× for BS6~12A)
- n Stopper pipe $\varnothing 15.9$ mm (4× for BS4A, 2× for BS6~12A)
- o Stopper pipe $\varnothing 22.2$ mm
- p Liquid header reducer pipe ($\varnothing 15.9 \rightarrow 9.5$ mm)
- q Liquid header reducer pipe ($\varnothing 15.9 \rightarrow 12.7$ mm)
- r Liquid header expander pipe ($\varnothing 15.9 \rightarrow 19.1$ mm)
- s Gas header reducer pipe ($\varnothing 22.2 \rightarrow 12.7$ mm)
- t Gas header reducer pipe ($\varnothing 22.2 \rightarrow 15.9$ mm)
- u Gas header reducer pipe ($\varnothing 22.2 \rightarrow 19.1$ mm)
- v Gas header expander pipe ($\varnothing 22.2 \rightarrow 28.6$ mm)

11 About the unit and options

11.1 Identification

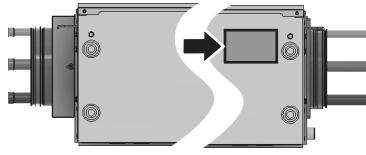


NOTICE

When installing or servicing several units at the same time, make sure NOT to switch the service panels between different models.

11.1.1 Identification label: BS unit

Location



11.2 About the operation range



INFORMATION

For the operation limits, see "13.1.1 Installation site requirements of the unit" [p 23].

11.3 System layout



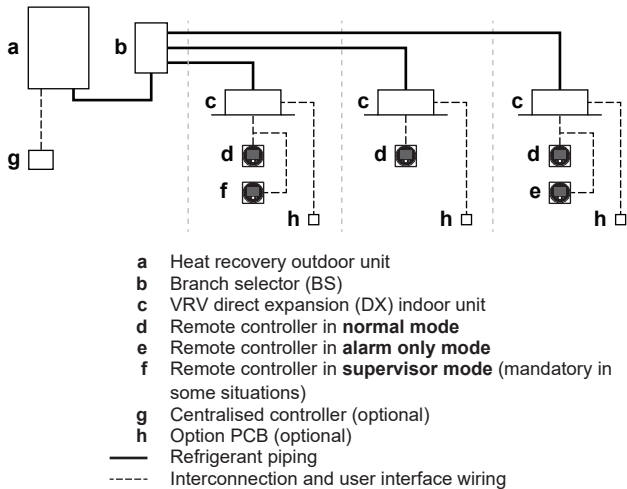
WARNING

The installation MUST comply with the requirements that apply to this R32 equipment. For more information, see "12 Special requirements for R32 units" [p 13].



INFORMATION

The following figure is an example and may NOT completely match your system layout.



11.4 Combining units and options



INFORMATION

Certain options may NOT be available in your country.

11.4.1 About combining units and options

This BS unit (BS4~12A14AJV1B9) is only compatible with REMA5+REYA8~20A7Y1B9 units (mind the '9' at the end).

In case the outdoor unit is REMA5+REYA8~20A7Y1B (without a '9' at the end), contact your dealer to update the software of the outdoor unit.

11.4.2 Possible options for the BS unit



INFORMATION

All possible options are mentioned in the option list below. For more information about an option, see the installation and operation manual of the option.

Duct connection kit (EKBSDCK)

This kit is required when you install ducting on the air inlet side. See the examples in "13.2 Possible configurations" [▶ 24] and "13.5.1 To install the ducting" [▶ 27].

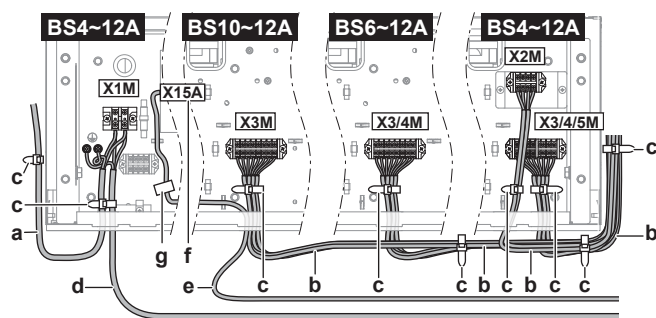
This kit can also be used when measuring the airflow. See "17.2.3 About measuring the airflow rate" [▶ 41].

Joint kit (EKBSJK)

This kit is required when you make a connection with e.g. FXMA200A and FXMA250A. When using the joint kit, change the DIP switch settings. See "15.4 To set the DIP switches" [▶ 35].

Drain up kit (K-KDU303KVE)

- Only this optional drain up kit can be used on the BS unit. Do NOT use another drain pump kit.
- Do NOT route the interconnection wiring of the BS unit together with the power supply wire of the drain up kit.
- Route the power supply wire and relay harness of the drain up kit inside the BS unit as shown in the figure below.
- Position the ferrite core on the relay harness of the drain up kit inside the switch box of the BS unit.



- a Power supply for the BS unit
- b Interconnection wiring
- c Cable tie
- d Power supply of the drain up kit
- e Relay harness of the drain up kit
- f Relay connector of the drain up kit
- g Ferrite core

12 Special requirements for R32 units

12.1 Installation space requirements



NOTICE

- The pipework shall be securely mounted and guarded protected from physical damage.
- Keep the pipework installation to a minimum.

12.2 System layout requirements

The VRV 5 heat recovery uses R32 refrigerant, which is rated as A2L and is mildly flammable.

To comply with the requirements of enhanced tightness refrigerating systems of the IEC 60335-2-40, this system is equipped with shut-off valves in the BS unit and an alarm in the remote controller.

The safety measures that are needed for the BS unit are explained in more detail below. If they are followed, no additional safety measures for the BS unit are required. Carefully follow the installation requirements for the BS unit as explained in this manual. Follow the installation requirements described in the outdoor unit and indoor unit installation and operation manuals to ensure that the complete system is compliant with legislation.

Outdoor unit installation

For installation of the outdoor unit, see the installation and operation manual delivered with the outdoor unit.

Indoor unit installation

Room area limitations apply for the indoor units. Details are explained in the installation and operation manual delivered with the outdoor unit. For installation of the indoor unit, see the installation and operation manual delivered with the indoor unit. For compatibility of indoor units, see the latest version of the technical data book of the outdoor unit.

Remote controller requirements

To install the remote controller, see the installation and operation manual delivered with the remote controller. For requirements on where and how to use a remote controller and which type to use, see the installation and operation manual delivered with the outdoor unit.

BS unit installation

Depending on the room size in which the BS unit is installed and the total amount of refrigerant in the system, other safety measures are necessary. See "12.3 To determine the required safety measures" [▶ 13]. For the total amount of refrigerant in the system, see the installation and operation manual delivered with the outdoor unit.

A terminal for external output is available in the BS unit. This SVS output can be used when additional countermeasures are needed, or when the BS unit is installed in a room size where an external alarm is a sufficient safety measure. The SVS output is a potential-free contact on terminal X6M that closes in case a refrigerant leak is detected or if the R32 sensor of the BS unit fails or is disconnected.

For more information about the SVS output, see "15.5 To connect the external outputs" [▶ 35].

Piping requirements



CAUTION

Piping **MUST** be installed according to instructions given in "14 Piping installation" [▶ 30]. Only mechanical joints (e.g. braze+flare connections) that are compliant with the latest version of ISO14903 can be used.

Low temperature solder alloys shall not be used for pipe connections.

For piping installed in the occupied space, make sure that the piping is protected against accidental damage. Piping should be checked according to the procedure as mentioned in the installation and operation manual delivered with the outdoor unit.

12.3 To determine the required safety measures

Step 1 – Determine the total amount of refrigerant in the system. See the installation and operation manual delivered with the outdoor unit.

Step 2 – Determine the area of the room in which the BS unit is installed.

The room area can be determined by projecting the walls, doors and partitions to the floor and calculating the enclosed area. Spaces connected by only false ceilings, ductwork, or similar connections are not considered a single space.

Step 3 – Use the graphs or tables (see "Figure 1" [▶ 2] at the beginning of this manual) to determine the required safety measures for the BS unit.

- m Total refrigerant charge in the system [kg]
- A_{min} Minimum room area [m²]
- (a) Lowest underground floor (=Lowest underground floor)
- (b) All other floors (=All other floors)
- (c) No safety measure (=No safety measure)

12 Special requirements for R32 units

- (d) External alarm OR Natural ventilation (=External alarm OR Natural ventilation)
- (e) Ventilated enclosure (=Ventilated enclosure)
- (f) Ventilated enclosure OR External alarm + natural ventilation (=Ventilated enclosure OR External alarm + natural ventilation)

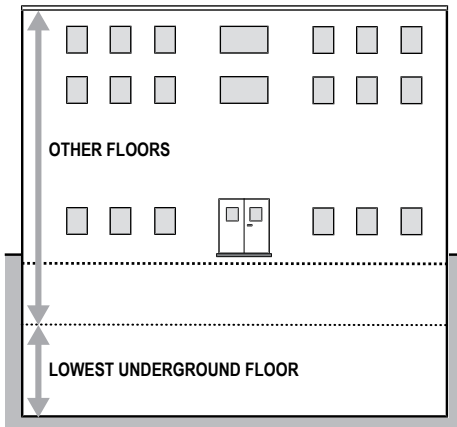
Use the total amount of refrigerant in the system and the area of the room in which the BS unit is installed to check which safety measure is required.

Note: When "No safety measure" is required, it is still allowed to apply natural ventilation or install an external alarm or ventilated enclosure if wanted. Follow the respective instructions as described further below.

Note: When natural ventilation is required, it is still allowed to install an external alarm or ventilated enclosure if wanted. Follow the respective instructions as described further below.

Note: When an external alarm is required as safety measure, it is also allowed to install a ventilated enclosure. Follow the instructions described further below.

Use the first graph (Lowest underground floor^(a)) in case the BS unit is installed in the lowest underground floor of a building. For other floors, use the second graph (All other floors^(b)).



The graphs and table are based on an installation height of the BS unit between 1.8 m and 2.2 m. The installation height is the height of the bottom of the BS unit to the floor. See also "13.1.1 Installation site requirements of the unit" ▶ 23].

If the installation height is more than 2.2 m, different boundaries for the applicable safety measures can apply. To know which safety measure is required in case the installation height is more than 2.2 m, refer to the online tool ([VRV Xpress](#)).



NOTICE

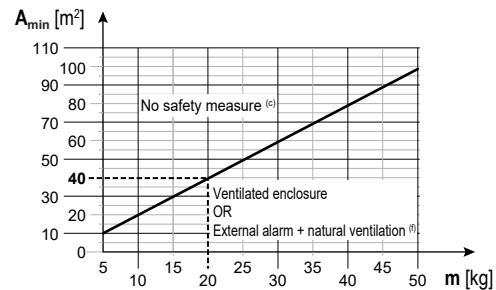
BS units cannot be installed lower than 1.8 m from the lowest point of the floor.

Example

The total amount of refrigerant in the VRV system is 20 kg. All BS units are installed in spaces that do NOT belong to the lowest underground floor of the building. The space in which the first BS unit is installed has a room area of 50 m², the space in which the second BS unit is installed has a room area of 15 m².

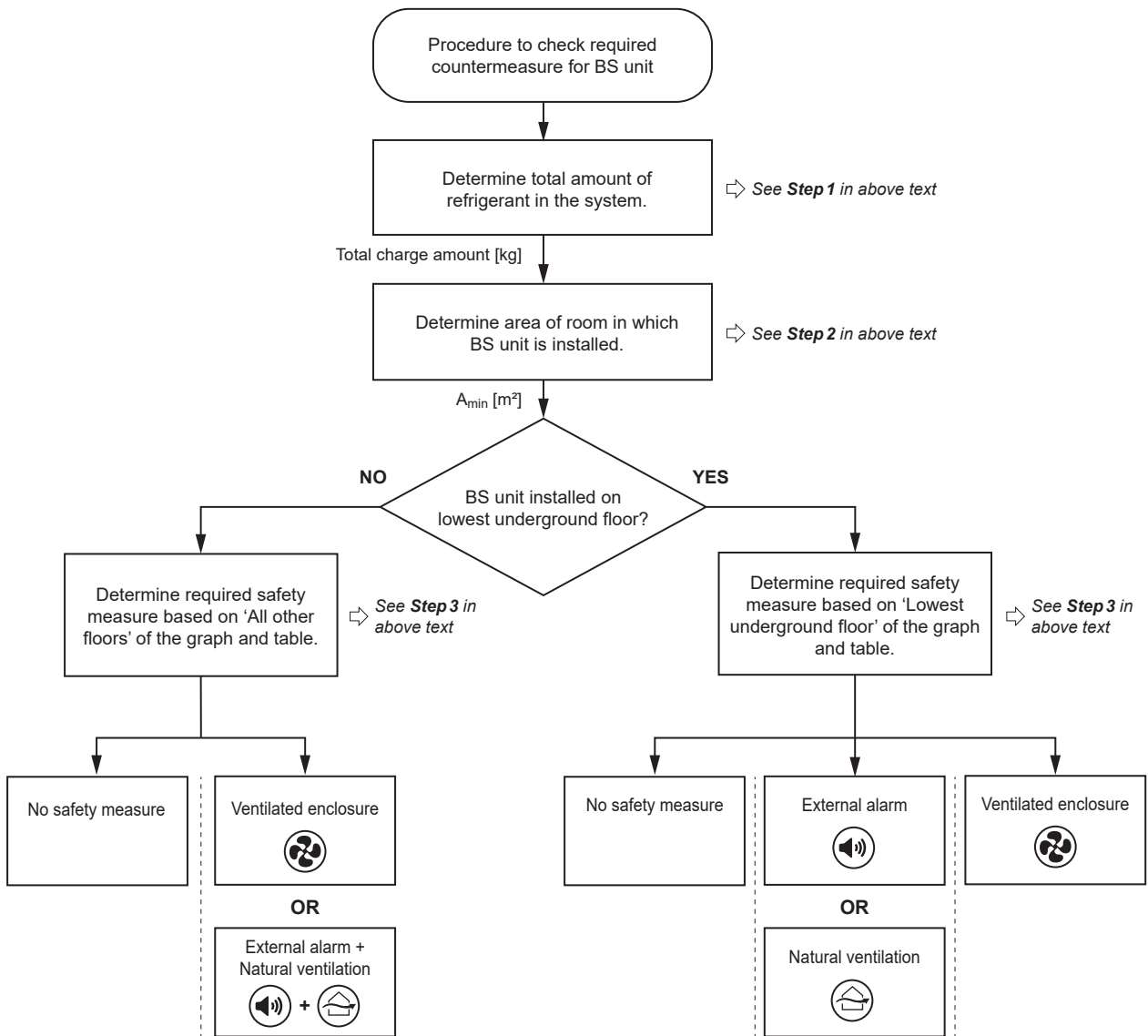
- Based on the graph for "All other floors" (All other floors), the room area limit is 40 m² for No safety measure" (No safety measures).
- This means that the following safety measures are required:

BS unit	Room area	Required safety measure
1	A=50 m ² ≥40 m ²	No safety measures
2	A=15 m ² <40 m ²	Ventilated enclosure OR External alarm + natural ventilation



- m Total refrigerant charge in the system [kg]
- A_{min} Minimum room area [m²]
- (a) Lowest underground floor (=Lowest underground floor)
- (b) All other floors (=All other floors)
- (c) No safety measure (=No safety measure)
- (d) External alarm OR Natural ventilation (=External alarm OR Natural ventilation)
- (e) Ventilated enclosure (=Ventilated enclosure)
- (f) Ventilated enclosure OR External alarm + natural ventilation (=Ventilated enclosure OR External alarm + natural ventilation)

12.3.1 Overview: flowchart



Note: The flowchart is an overview. Always refer to the full text mentioned in this manual for clear understanding and detailed explanation.

12 Special requirements for R32 units

12.4 Safety measures

12.4.1 No safety measure

When the room area is sufficiently large, no safety measures are required. This also includes a BS unit installed in the lowest underground floor.

The duct connection must be replaced with the duct closing plate accessory (see "13.5.2 To install the duct closing plate" ▶ 27).

Field settings

No safety measure		
Code	Description	Value
[2-0] ^(a)	Cluster indication	0 (default): disable
[2-4] ^(b)	Safety measures	0: disable

^(a) Set on ALL main PCBs (A1P, A2P and A3P) of the BS unit.

^(b) Set ONLY on the LEFTMOST main PCB (A1P) of the BS unit.

Note: For more information, see "16.1 Making field settings" ▶ 36].

BS unit test run

Before BS unit operation, it is required to perform a test run that simulates a refrigerant leak. See "17.2 BS unit test run" ▶ 40] for more details.

12.4.2 External alarm



WARNING

Do NOT use 'External alarm' as the ONLY safety measure in case the indoor unit is installed in an occupied space where people are restricted in their movement. Combine or use another safety measure.

For the external alarm safety measure, the duct connection must be replaced with the duct closing plate accessory (see "13.5.2 To install the duct closing plate" ▶ 27).

An external alarm circuit (field supply) must be connected to the SVS output of the BS unit, see "15.5 To connect the external outputs" ▶ 35].

This alarm system must warn audibly AND visibly (e.g. a loud buzzer AND a flashing light). The audible alarm must be 15 dBA above the background sound level at all times.

At least one alarm must be installed in the occupied space in which the BS unit is installed.

For the occupancy listed below, the alarm system must **additionally** warn at a supervised location with 24-hour monitoring:

- with sleeping facilities.
- where an uncontrolled number of people are present.
- accessible for persons not familiar with the necessary safety precautions.
- where people are restricted in their movement

To warn at a supervised location, connect a supervisor remote controller to the system. This supervisor remote controller can be connected to any indoor unit of the system, and will warn at the supervised location in case a refrigerant leak is detected in any BS unit of the system. **Note:** An address number for the supervisor remote controller must be assigned to the BS unit. See "16.1 Making field settings" ▶ 36].

When the R32 sensor in the BS unit detects a refrigerant leak, the SVS output will close and activate the alarm. An error message will display on the remote controllers of the connected indoor units. See "20 Troubleshooting" ▶ 43].

Field settings

External alarm		
Code	Description	Value
[2-0] ^(a)	Cluster indication	0 (default): disable
[2-4] ^(b)	Safety measures	1 (default): enable
[2-7] ^(b)	Ventilated enclosure	0: disable

^(a) Set on ALL main PCBs (A1P, A2P and A3P) of the BS unit.

^(b) Set ONLY on the LEFTMOST main PCB (A1P) of the BS unit.

Note: For more information, see "16.1 Making field settings" ▶ 36].

BS unit test run

Before BS unit operation, it is required to perform a test run that simulates a refrigerant leak. See "17.2 BS unit test run" ▶ 40] for more details.

12.4.3 Natural ventilation

Natural ventilation is a safety measure where ventilation is made to a place where sufficient air is available to dilute the leaked refrigerant such as a large space.

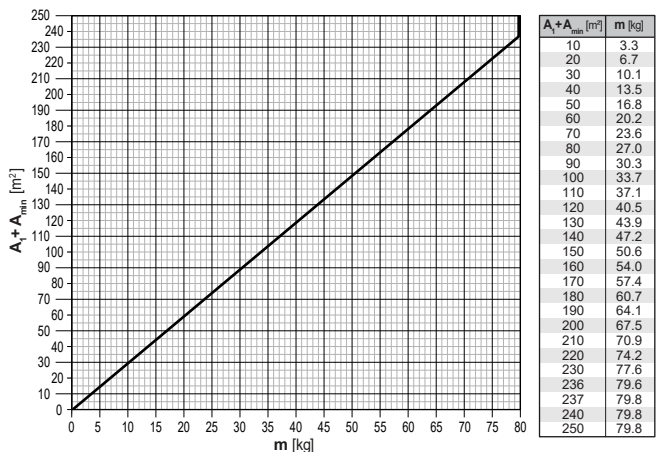
The duct connection must be replaced with the duct closing plate accessory (see "13.5.2 To install the duct closing plate" ▶ 27).

The natural ventilation safety measure can be applied by following the steps below:

Step 1 – Determine total room area, which is the total area of the space that has natural ventilation **and** the space in which the BS unit is installed:

The respective room area can be determined by projecting the walls, doors and partitions to the floor and calculating the enclosed area. Spaces connected only through false ceilings, ductwork, or similar connections are not considered a single space.

Step 2 – Use the graph or table below to determine the total refrigerant charge limit in the system:



m Total refrigerant charge in the system [kg]

A₁ Area of the room with natural ventilation [m²]

A_{min} Minimum room area of the space in which the BS unit is installed [m²]

Note: Round down the derived values.

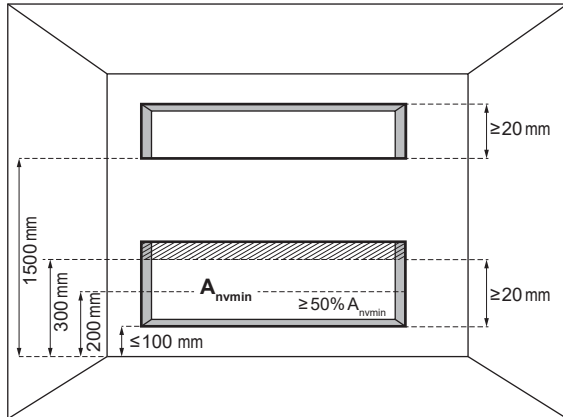
The graphs and table are based on an installation height of the BS unit between 1.8 m and 2.2 m. The installation height is the height of the bottom of the BS unit to the floor. See also "13.1.1 Installation site requirements of the unit" ▶ 23].

If the installation height is more than 2.2 m, higher total refrigerant charge limit of the system can apply. To know the total refrigerant charge limit of the system in case the installation height is more than 2.2 m, refer to the online tool (VRV Xpress).

Step 3 – The total amount of refrigerant in the system MUST be less than the refrigerant charge limit derived from the graph above. If NOT, natural ventilation safety measure is not allowed.

Step 4 – The partition between two rooms on the same floor MUST meet one of the following two requirements for natural ventilation.

- Rooms on the same floor that are connected with a permanent opening that extends to the floor and is intended for people to walk through.
- Rooms on the same floor connected with permanent openings that fulfil the requirements listed below. The openings must consist out of two parts to allow air circulation for natural ventilation.



A_{nvmin} Minimal natural ventilation area



WARNING

The ventilation openings MUST NOT be blocked.

For the lower opening:

- It is not an opening to the outside
- The opening cannot be closed
- The opening must be $\geq 0.012 \text{ m}^2$ (A_{nvmin})
- The area of any openings above 300 mm from the floor does not count when determining A_{nvmin}
- At least 50% of A_{nvmin} is less than 200 mm above the floor
- The bottom of the lower opening is ≤ 100 mm from the floor
- The height of the opening is ≥ 20 mm

For the upper opening:

- It is not an opening to the outside
- The opening cannot be closed
- The opening must be $\geq 0.006 \text{ m}^2$ (50% of A_{nvmin})
- The bottom of the upper opening must be ≥ 1500 mm above the floor
- The height of the opening is ≥ 20 mm

Note: The requirement for the upper opening can be met by false ceilings, ventilation ducts or similar arrangements that provide an airflow path between the connected rooms.

Example

The total amount of refrigerant in the VRV system is 20 kg. The VRV system has one BS unit which is installed in space that does not belong to the lowest underground floor of the building. The space in which the BS unit is installed has a room area of 25 m². An adjacent room has a room area of 45 m² to which air circulation is possible through a partition that meets one of the two requirements in the above text. The safety measure chosen is *External alarm + Natural ventilation* instead of *Ventilated enclosure* (based on the total amount of refrigerant and room area from the graph for "All other floors").

- To apply the *External alarm* safety measure, see "12.4.2 External alarm" [▶ 16].
- In addition, apply the *Natural ventilation* safety measure: total room areas of installed room and adjacent room where natural ventilation can be made: 25 m²+45 m²=70 m²

- Total refrigerant charge limit for the system determined using the graph for natural ventilation is **23.6 kg**.

Total amount of refrigerant in the system (20 kg) < Total refrigerant charge limit (23.6 kg), which means that the safety measure can be applied.

Field settings

Natural ventilation		
Code	Description	Value
[2-0] ^(a)	Cluster indication	0 (default): disable
[2-4] ^(b)	Safety measures	0: disable

^(a) Set on ALL main PCBs (A1P, A2P and A3P) of the BS unit.

^(b) Set ONLY on the LEFTMOST main PCB (A1P) of the BS unit.

Note: For more information, see "16.1 Making field settings" [▶ 36].

Note: If the natural ventilation safety measure is used in conjunction with the external alarm safety measure, then the field settings for external alarm safety measure MUST be made during configuration.

BS unit test run

Before BS unit operation, it is required to perform a test run that simulates a refrigerant leak. See "17.2 BS unit test run" [▶ 40] for more details.

12.4.4 Ventilated enclosure



WARNING

If the ventilated enclosure safety measure is applied, the BS unit must have its own ductwork and extraction fan. Do NOT combine this ductwork with ducting for other purposes.

A ventilated enclosure is required as a safety measure in case other safety measures (see "12.4.1 No safety measure" [▶ 16], "12.4.3 Natural ventilation" [▶ 16] and "12.4.2 External alarm" [▶ 16]) are not allowed.

For the ventilated enclosure safety measure, ductwork and an extraction fan MUST be installed. See "13.5 Installing the ventilation ducting" [▶ 27] for ductwork (field supply) installation and "15.5 To connect the external outputs" [▶ 35] to connect the extraction fan circuit (field supply) to the BS unit.



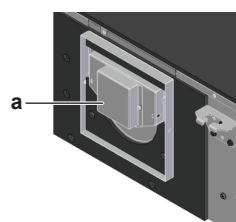
WARNING

Keep any required ventilation openings clear of obstructions.

Note: As an additional safety measure, an external alarm circuit (field supply) can be installed using the SVS output. See "15.5 To connect the external outputs" [▶ 35].

When the R32 sensor in the BS unit detects a refrigerant leak, it activates the safety measures. This includes opening the damper of the unit to allow air to enter, activate the fan output signal to trigger an extraction fan to operate and evacuate the refrigerant leak, and display an error message on the remote controllers of the connected indoor units.

A damper at the air inlet of the BS unit enables a choice between three types of configurations (see below).



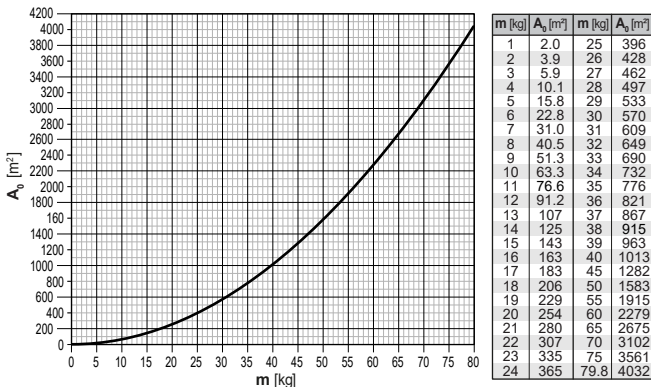
a Damper

Respect the following rules:

12 Special requirements for R32 units

Ductwork	The evacuation ductwork MUST vent outside the building or to another room having the minimum room area greater than the value mentioned in the below graph or table. Avoid that dirt, dust and small animals can enter the ductwork and lead to an obstruction. Example: Install a non-return valve, grill, filter or other component in the evacuation duct.
Extraction fan	The extraction fan must have a CE marking and cannot act as an ignition source during normal operation. This requirement is met if the fan motor has an IP4X rating or better.
Replacement air	Make sure that sufficient replacement air is available for the extraction of a refrigerant leak. The extraction airflow rate must be maintained for at least 8 hours. This is achieved by providing a sufficiently large air volume around the BS unit or by providing sufficient replacement air around the BS unit (e.g. natural openings or a dedicated opening in the false ceiling).
Maintenance	Maintain the evacuation channel to avoid dust and dirt from building up and obstructing the flow path.

In case of venting to another room, use the graph or table below to determine the minimum room area limit of the space where ducting is venting to:



- m** Total refrigerant charge in the system [kg]
A₀ Minimum room area of the space where ductwork is venting [m²]

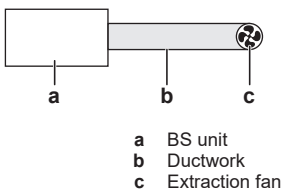
Note: Round up the derived values.

The graph and table are based on the bottom of the duct opening height into another room between 1.8 m and 2.2 m. The bottom of the duct opening height is the height of the bottom of the duct to the lowest point of the floor.

If the bottom of the duct opening height is more than 2.2 m, lower minimum room area limit can apply where the ventilated enclosure ductwork is venting. To know the minimum room area in case the bottom of the duct opening height is more than 2.2 m, refer to the online tool ([VRV Xpress](#)).

One BS unit – one extraction fan

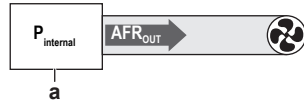
In the most simple configuration, each BS unit in the system has its own evacuation channel and its own extraction fan.



An extraction fan must be connected to the BS unit, see "[15.5 To connect the external outputs](#)" [▶ 35].

In order to size the fan, calculate the required pressure capacity. The total pressure drop in the evacuation channel consists of multiple parts: the pressure drop generated by the BS unit and the pressure drop generated by the components of the ductwork.

Select an airflow rate for the evacuation that meets the legal requirements. This means that the airflow rate is above the legally required minimum, and generates sufficient pressure difference inside the BS unit when compared with the pressure of the surroundings. The minimum required airflow rate (AFR_{OUT}) is 18.8 m³/h, and the pressure drop generated by the BS unit should lead to a pressure inside the BS unit ($P_{internal}$) that is more than 20 Pa below the pressure of the surroundings.

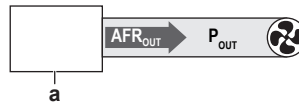


- a BS unit
 AFR_{OUT} Airflow
 $P_{internal}$ Internal pressure

It is advised to take a safety margin on these minimum values when designing the evacuation channel in order to account for tolerances on parts, dirt and dust building up in the evacuation channel over time, etc.

Note: The internal pressure of the BS unit should not be more than 350 Pa below the pressure of the surroundings.

Write down the pressure drop generated by all the components in the evacuation channel for the selected airflow rate. For the BS unit, use the curve that presents the pressure at the outlet (P_{OUT}) in function of the airflow rate (AFR_{OUT}). See the latest version of the technical engineering data for the pressure drop curves of the BS unit.

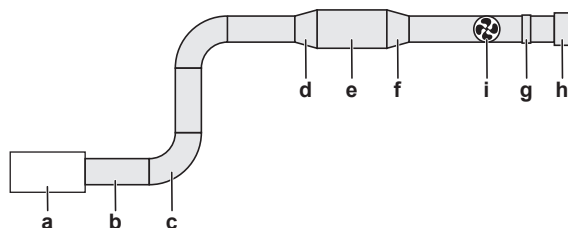


- a BS unit
 AFR_{OUT} Airflow
 P_{OUT} Outlet pressure

For the pressure drop caused by other components of the evacuation channel (ducts, bends, etc.), use the curves of the manufacturer.

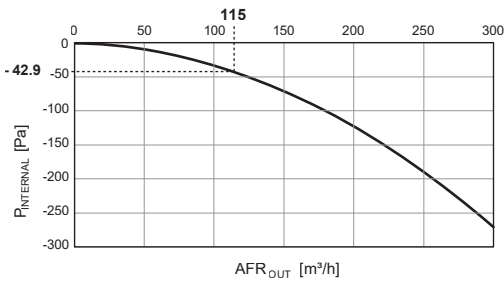
Use the airflow rate and the sum of the pressure drops to select a suitable fan.

Example



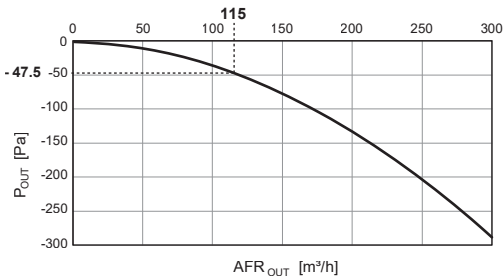
- a BS unit
b-h Ductwork (duct, bend, reducer, expander, non-return valve, wall grill, etc.)
i Extraction fan

In this example we use a BS12A unit. Use the curve of the internal pressure inside the BS unit ($P_{internal}$) in function of the airflow rate (AFR_{OUT}). When an airflow rate of 115 m³/h is selected, the pressure inside the BS unit is 42.9 Pa below the pressure of the surroundings. So this airflow rate is above the required 18.8 m³/h and the pressure inside the BS unit is within the range of 20~350 Pa below the pressure of the surroundings. We use this 115 m³/h airflow rate for further calculations.

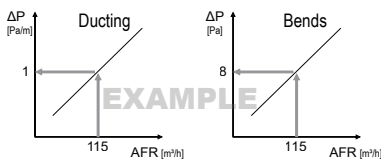


Note: These curves present the internal pressure of the BS unit compared to an ambient pressure of 101325 Pa.

Use the curve of the outlet pressure (P_{OUT}) in function of the airflow rate (AFR_{OUT}) for the BS unit. With an airflow rate of 115 m³/h, the resulting pressure drop generated by the BS unit is 47.5 Pa.



Use the curves, with instructions how to read them, of the manufacturer of the components to find the pressure drop generated by all components in the ductwork. A conversion of units might be required. Beware that for ducting, the pressure drop from the manufacturer might be given per unit length of ducting (units are for example Pa/m). Multiply this value by the duct length to find the total pressure drop.



Write down the pressure drop of each component in an overview table. Sum up the pressure drops.

Nº	Indication	Type	AFR [m ³ /h]	Length [m]	ΔP [Pa/m]	ΔP [Pa]
1	a	BS unit	115	-	-	47.5
2	b	Duct	"	5	1	5
3	c	Bend	"	-	-	8
4	b	Duct	"	10	1	10
5	c	Bend	"	-	-	8
6	b	Duct	"	2	1	2
7	d	Expander	"	-	-	4
8	e	Duct	"	6	0.5	3
9	f	Reducer	"	-	-	6
10	b	Duct	"	2	1	2
11	b	Duct	"	1	1	1
12	g	Non-return valve	"	-	-	11
13	b	Duct	"	1	1	1
14	h	Wall grill	"	-	-	15
Total pressure drop (sum of rows 1 to 14)						123.5

Select a fan with the required flow of 115 m³/h and a total pressure rise of 123.5 Pa.

Note: For ease of installation, we recommend to use in-line duct fans.

An online tool ([VRV Xpress](#)) is available to find the required pressure capacity for selecting the correct fan size. Only use this online tool for the calculation.

Field settings

One BS unit – one extraction fan		
Code	Description	Value
[2-0] ^(a)	Cluster indication	0 (default): disable
[2-4] ^(b)	Safety measures	1 (default): enable
[2-7] ^(b)	Ventilated enclosure	1 (default): enable

^(a) Set on ALL main PCBs (A1P, A2P and A3P) of the BS unit.

^(b) Set ONLY on the LEFTMOST main PCB (A1P) of the BS unit.

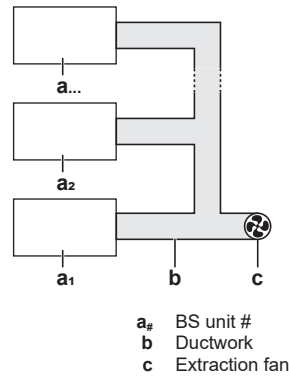
Note: For more information, see "16.1 Making field settings" [▶ 36].

BS unit test run

Before BS unit operation, it is required to perform a test run that simulates a refrigerant leak. See "17.2 BS unit test run" [▶ 40] for more details.

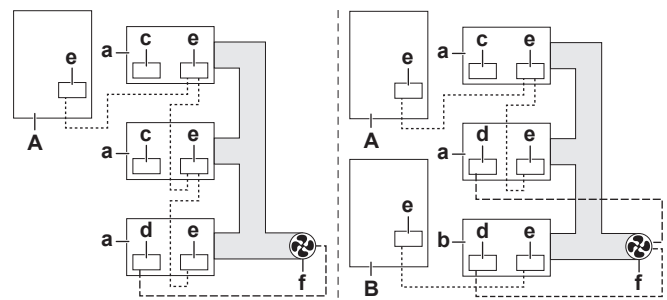
Multiple BS units in parallel – one extraction fan

In this configuration, multiple parallel BS units are connected to a single extraction fan. Each BS unit benefits from a direct airflow path to the extraction fan. In case of a refrigerant leak in any BS unit, the damper of that BS unit will open and allow direct air evacuation to the extraction fan. The dampers of the other BS units remain closed.



It is sufficient to connect the extraction fan circuit to only one BS unit of the cluster (=BS units that belong to the same ductwork and extraction fan) (see "15.5 To connect the external outputs" [▶ 35]). If in a cluster there are BS units that belong to different outdoor unit systems, the fan circuit must be connected to one BS unit (in the cluster) of each outdoor unit system.

Example



- a BS unit belonging to outdoor unit A
- b BS unit belonging to outdoor unit B
- c Extraction fan output terminal – NOT connected
- d Extraction fan output terminal – connected
- e Interconnection wiring terminal
- f Extraction fan
- A Outdoor unit A
- B Outdoor unit B
- Interconnection wiring
- Extraction fan output wiring

An online tool ([VRV Xpress](#)) is available to find the required pressure capacity for selecting the correct fan size. Only use this online tool for the calculation.

12 Special requirements for R32 units

Field settings

Multiple BS units in parallel – one extraction fan		
Code	Description	Value
[2-0] ^(a)	Cluster indication	1: enable
[2-1] ^(a)	Cluster number	# ^(b)
[2-2] ^(a)	Cluster configuration	0 (default): parallel
[2-4] ^(c)	Safety measures	1 (default): enable
[2-7] ^(c)	Ventilated enclosure	1 (default): enable

^(a) Set on ALL main PCBs (A1P, A2P and A3P) of the BS unit.

^(b) Assign a unique cluster number to each cluster in the system. All BS units in the same cluster MUST have the same cluster number.

^(c) Set ONLY on the LEFTMOST main PCB (A1P) of the BS unit.

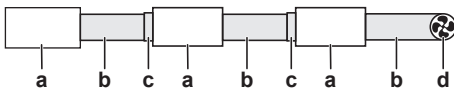
Note: For more information, see "16.1 Making field settings" [▶ 36].

BS unit test run

Before BS unit operation, it is required to perform a test run that simulates a refrigerant leak. See "17.2 BS unit test run" [▶ 40] for more details.

Multiple BS units in series – one extraction fan

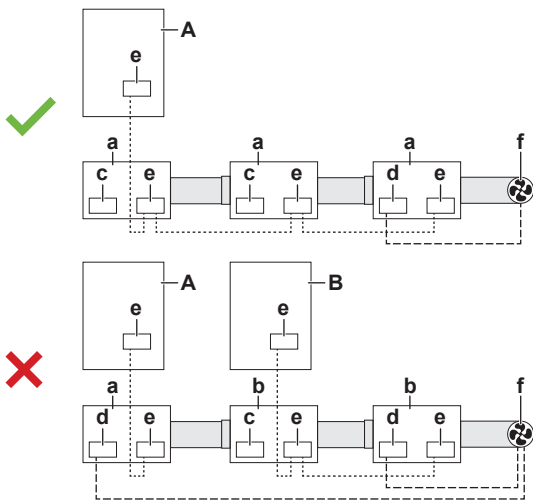
In this configuration, multiple BS units are connected in series to a single extraction fan. The air flows through every BS unit to the extraction fan. In case of a refrigerant leak in any BS unit, the dampers of all BS units will open and allow air evacuation to the extraction fan.



- a BS unit
- b Ductwork
- c EKBSDCK
- d Extraction fan

It is sufficient to connect the extraction fan circuit to only one BS unit of the cluster (see "15.5 To connect the external outputs" [▶ 35]). It is not allowed to have BS units in the same series cluster that belong to different outdoor unit systems.

Example



- a BS unit belonging to outdoor unit A
- b BS unit belonging to outdoor unit B
- c Extraction fan output terminal – NOT connected
- d Extraction fan output terminal – connected
- e Interconnection wiring terminal
- f Extraction fan
- A Outdoor unit A
- B Outdoor unit B
- Interconnection wiring
- - - - - Extraction fan output wiring
- ✓ Allowed
- ✗ NOT allowed

The option kit EKBSDCK is required each time a duct is connected to the air inlet (damper side) of the BS unit.

An online tool ([VRV Xpress](#)) is available to find the required pressure capacity for selecting the correct fan size. Only use this online tool for the calculation.

Field settings

Multiple BS units in series – one extraction fan		
Code	Description	Value
[2-0] ^(a)	Cluster indication	1: enable
[2-1] ^(a)	Cluster number	# ^(b)
[2-2] ^(a)	Cluster configuration	1: series
[2-4] ^(c)	Safety measures	1 (default): enable
[2-7] ^(c)	Ventilated enclosure	1 (default): enable

^(a) Set on ALL main PCBs (A1P, A2P and A3P) of the BS unit.

^(b) Assign a unique cluster number to each cluster in the system. All BS units in the same cluster MUST have the same cluster number.

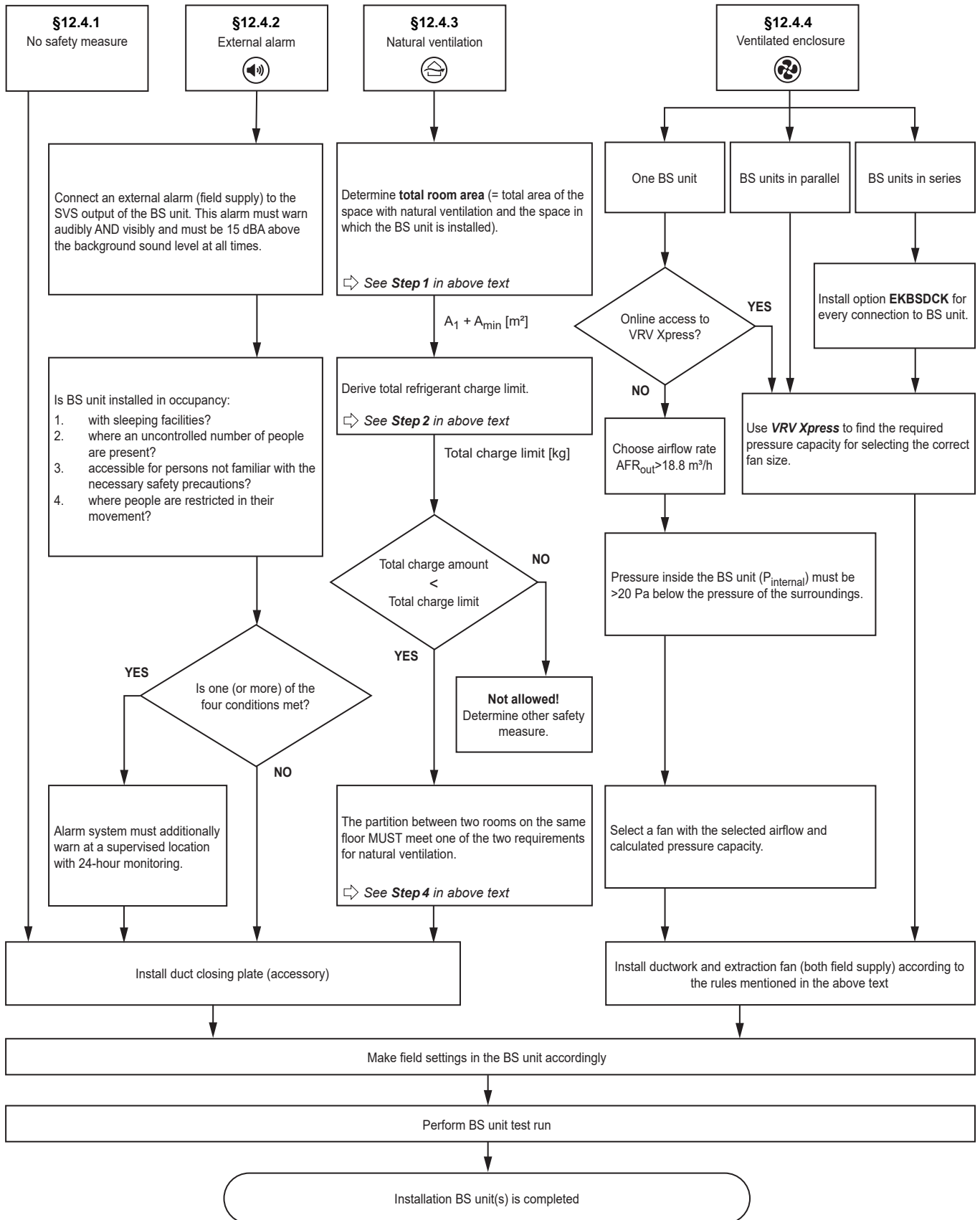
^(c) Set ONLY on the LEFTMOST main PCB (A1P) of the BS unit.

Note: For more information, see "16.1 Making field settings" [▶ 36].

BS unit test run

Before BS unit operation, it is required to perform a test run that simulates a refrigerant leak. See "17.2 BS unit test run" [▶ 40] for more details.

12.4.5 Overview: flowchart



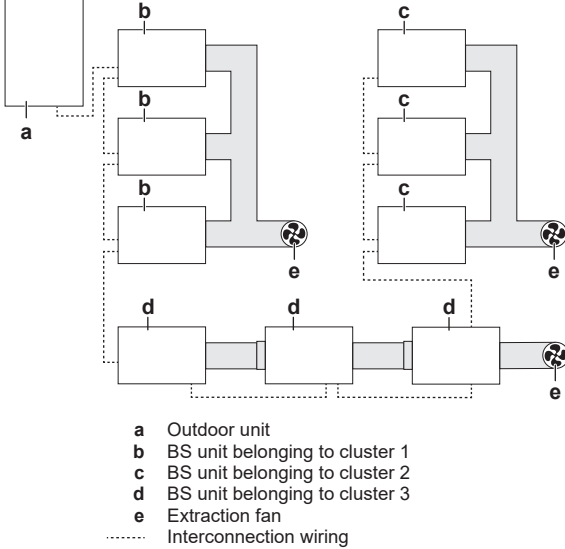
Note: The flowchart is an overview. Always refer to the full text mentioned in this manual for clear understanding and detailed explanation.

13 Unit installation

12.5 Combinations of ventilated enclosure configurations

It is possible to combine different ventilated enclosure configurations (clusters) in the same system. To do this, assign a unique cluster value to each cluster. All the BS units in the same cluster need to be assigned the same cluster number.

Example



Field settings of above example

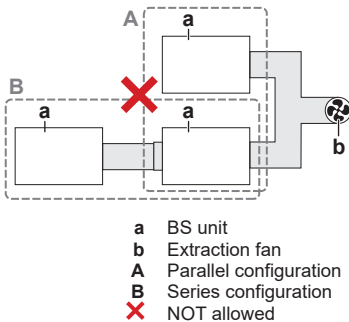
Code	Description	Value ^(a)
[2-0] ^(b)	Cluster indication	1: enable
[2-1] ^(b)	Cluster number	1 2 3
[2-2] ^(b)	Cluster configuration	0 (default): parallel 1: series
[2-4] ^(c)	Safety measures	1 (default): enable
[2-7] ^(c)	Ventilated enclosure	1 (default): enable

- ^(a) For clusters 1~3.
- ^(b) Set on ALL main PCBs (A1P, A2P and A3P) of the BS unit.
- ^(c) Set ONLY on the LEFTMOST main PCB (A1P) of the BS unit.

Note: For more information, see "16.1 Making field settings" ▶ 36].

Example

It is not allowed to combine parallel and series configurations within the same cluster.



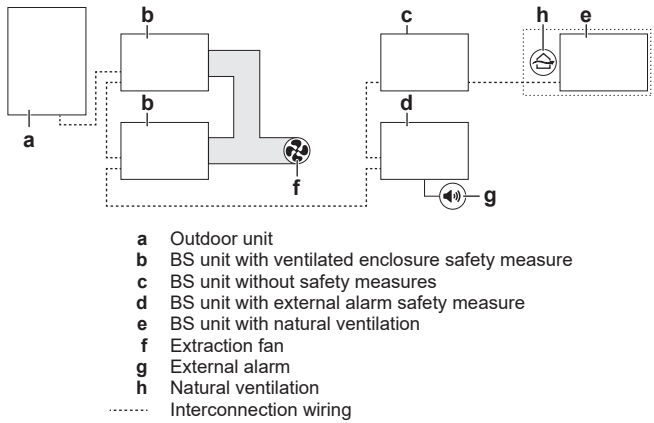
BS unit test run

Before BS unit operation, it is required to perform a test run that simulates a refrigerant leak. See "17.2 BS unit test run" ▶ 40] for more details.

12.6 Combinations of safety measures

It is possible to combine BS units with different safety measures (no safety measures, external alarm, natural ventilation and ventilated enclosure) in the same system.

Example



Field settings

BS units (b) with ventilated enclosure safety measure		
Code	Description	Value
[2-0] ^(a)	Cluster indication	1: enable
[2-1] ^(a)	Cluster number	1
[2-2] ^(a)	Cluster configuration	0 (default): parallel
[2-4] ^(b)	Safety measures	1 (default): enable
[2-7] ^(b)	Ventilated enclosure	1 (default): enable

- ^(a) Set on ALL main PCBs (A1P, A2P and A3P) of the BS unit.
- ^(b) Set ONLY on the LEFTMOST main PCB (A1P) of the BS unit.

BS units (c) without safety measures		
Code	Description	Value
[2-0] ^(a)	Cluster indication	0 (default): disable
[2-4] ^(b)	Safety measures	0: disable

- ^(a) Set on ALL main PCBs (A1P, A2P and A3P) of the BS unit.
- ^(b) Set ONLY on the LEFTMOST main PCB (A1P) of the BS unit.

BS units (d) with external alarm safety measure		
Code	Description	Value
[2-0] ^(a)	Cluster indication	0 (default): disable
[2-4] ^(b)	Safety measures	1 (default): enable
[2-7] ^(b)	Ventilated enclosure	0: disable

- ^(a) Set on ALL main PCBs (A1P, A2P and A3P) of the BS unit.
- ^(b) Set ONLY on the LEFTMOST main PCB (A1P) of the BS unit.

BS units (e) with natural ventilation		
Code	Description	Value
[2-0] ^(a)	Cluster indication	0 (default): disable
[2-4] ^(b)	Safety measures	0: disable
[2-7] ^(b)	Ventilated enclosure	1 (default): enable

- ^(a) Set on ALL main PCBs (A1P, A2P and A3P) of the BS unit.
- ^(b) Set ONLY on the LEFTMOST main PCB (A1P) of the BS unit.

Note: For more information, see "16.1 Making field settings" ▶ 36].

BS unit test run

Before BS unit operation, it is required to perform a test run that simulates a refrigerant leak. See "17.2 BS unit test run" ▶ 40] for more details.

13 Unit installation

WARNING
 The installation MUST comply with the requirements that apply to this R32 equipment. For more information, see "12 Special requirements for R32 units" ▶ 13].

13.1 Preparing the installation site



WARNING

The appliance shall be stored/installed as follows:

- in such a way as to prevent mechanical damage.
- in a well-ventilated room without continuously operating ignition sources (example: open flames, an operating gas appliance or an operating electric heater).
- in a room with dimensions as specified in "12 Special requirements for R32 units" [▶ 13].

Avoid installation in an environment with a lot of organic solvents such as ink and siloxane.

Do NOT install the unit in places often used as work place. In case of construction works (e.g. grinding works) where a lot of dust is created, the unit MUST be covered.

Choose an installation location with sufficient space to carry the unit in and out of the site.

13.1.1 Installation site requirements of the unit



CAUTION

Appliance is NOT accessible to the general public. Install it in a secured area, protected from easy access.

This unit is suitable for installation in a commercial and light industrial environment.



CAUTION

This equipment is NOT intended for use in residential locations and will NOT guarantee to provide adequate protection to radio reception in such locations.



NOTICE

If the equipment is installed closer than 30 m to a residential location, the professional installer MUST evaluate the EMC situation before installation.



NOTICE

The installation and any maintenance requires a professional with relevant EMC experience to install any specific EMC mitigation measures defined in the user instructions.



NOTICE

The equipment described in this manual may cause electronic noise generated from radio-frequency energy. The equipment complies to specifications that are designed to provide reasonable protection against such interference. However, there is no guarantee that interference will NOT occur in a particular installation.

It is therefore recommended to install the equipment and electric wires in such a way that they keep a proper distance from stereo equipment, personal computers, etc.

In places with weak reception, keep distances of 3 m or more to avoid electromagnetic interference of other equipment and use conduit tubes for power and interconnection lines.



INFORMATION

Equipment meets the requirement for commercial and light-industrial location when professionally installed and maintained.



INFORMATION

The sound pressure level is less than 70 dBA.



INFORMATION

Also read the following requirements:

- Service space requirements. See below in this topic.
- Refrigerant piping requirements. See "14 Piping installation" [▶ 30].

Safety measures differ depending on the total amount of refrigerant in the system and on the floor area. See "12.3 To determine the required safety measures" [▶ 13].

The BS unit is designed for indoor installation only. Always respect the following conditions.

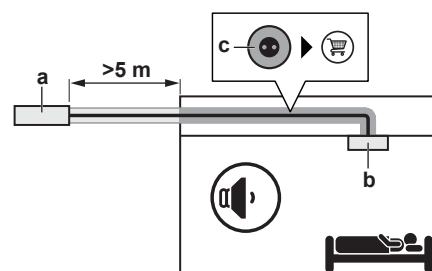
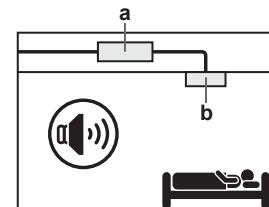
Ambient condition	Value
Indoor temperature	5~32°C DB
Indoor humidity	≤80%

Do NOT install the unit in the following places:

- In places where a mineral oil mist, spray or vapour may be present in the atmosphere. Plastic parts may deteriorate and fall off or cause water leakage.
- Where acidic or alkaline vapour is present.
- In vehicles or vessels.

It is NOT recommended to install the unit in the following places because it may shorten the life of the unit:

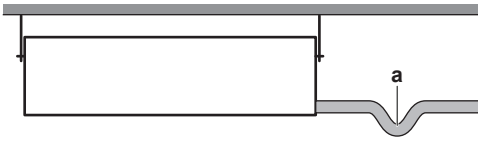
- In places where voltage fluctuates a lot.
- **Water leakage.** Take care that in the event of a water leak, water CANNOT cause any damage to the installation space and its surroundings.
- **Noise.** Choose a location where the operation noise of the unit does not disturb the room occupants. To avoid that the refrigerant noise disturbs the people in the room, keep at least 5 m of piping between the occupied room and the BS unit. If there is no false ceiling in the room, it is advised to add sound insulation around the piping between the BS unit and the indoor unit, or to keep more length between the BS unit and the indoor unit.



- a BS unit
- b Indoor unit
- c Sound insulation (field supply)

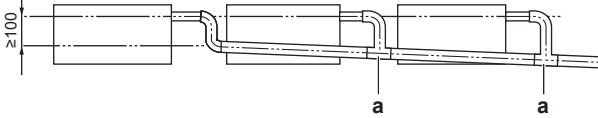
- **Drainage.** Make sure condensation water can be evacuated properly.
- **Drain pipe length.** Keep drain piping as short as possible.
- **Drain pipe size.** Keep the pipe size equal to or greater than that of the connecting pipe (vinyl pipe of 20 mm nominal diameter and 26 mm outer diameter).
- **Bad odours.** To prevent bad odours and air going into the unit through the drain piping, install a trap.

13 Unit installation



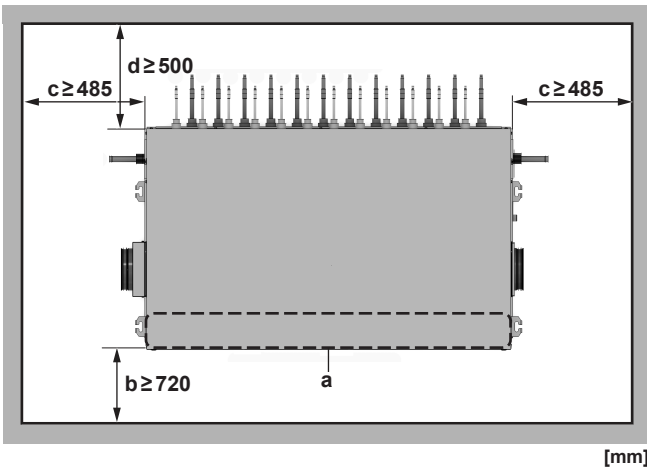
a Trap

- **Ammonia.** Do not connect the drain piping directly to sewage pipes that smell of ammonia. The ammonia in the sewage pipe might enter the unit through the drain piping and cause corrosion.
- **Combining drain pipes.** It is possible to combine drain pipes. Use drain pipes and T-joints with the correct gauge for the operating capacity of the units.

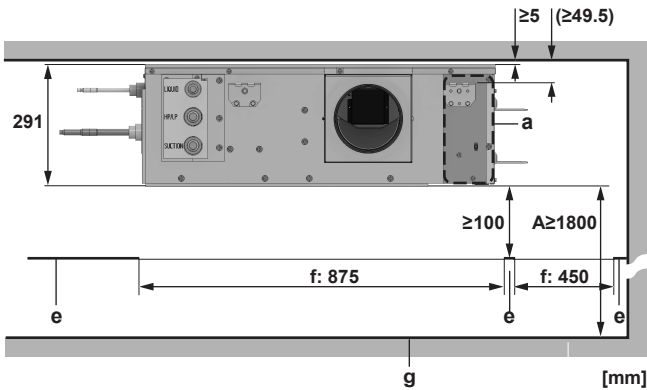


a T-joint

- **Spacing.** Respect the following requirements:



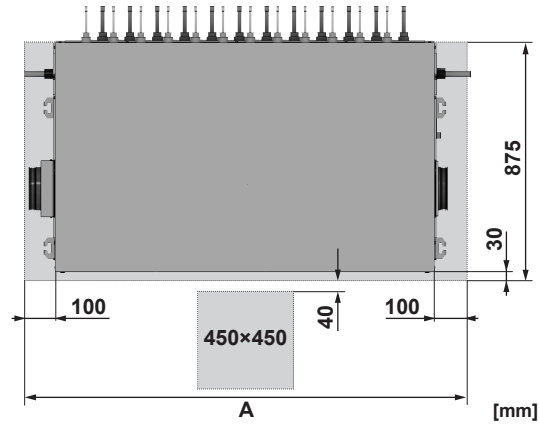
[mm]



[mm]

- A Minimum distance to the floor
- a Switch box
- b Maintenance space
- c Minimum connection space for refrigerant piping coming from the outdoor unit, or for piping coming from or going to another BS unit, drain piping and ducting
- d Minimum connection space for the refrigerant piping to the indoor units
- e False ceiling
- f False ceiling opening
- g Floor surface

- **Ceiling strength.** Check whether the ceiling is strong enough to support the weight of the unit. If there is a risk, reinforce the ceiling before installing the unit.
 - For existing ceilings, use anchors.
 - For new ceilings, use sunken inserts, sunken anchors or other field supplied parts.
- **Ceiling openings.** Respect the following sizes and positions for the ceiling openings:

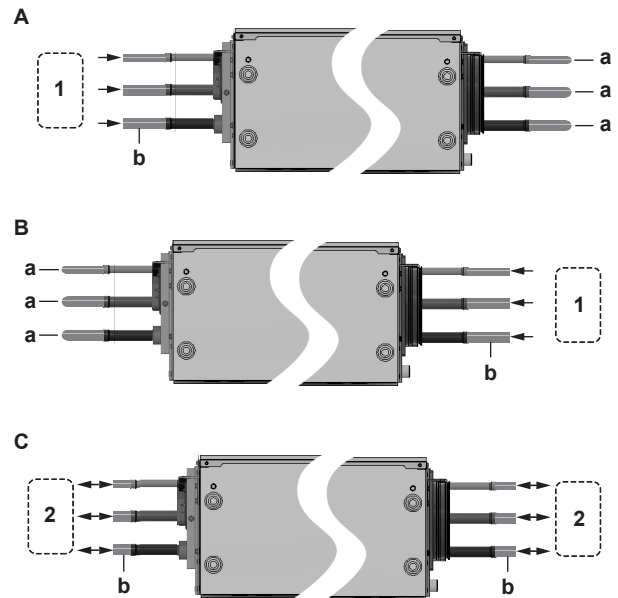


[mm]

- A Ceiling opening size:
800 mm (BS4A)
1200 mm (BS6~8A)
1600 mm (BS10~12A)

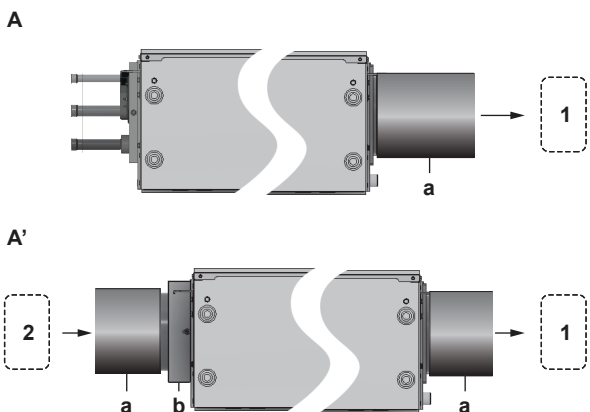
13.2 Possible configurations

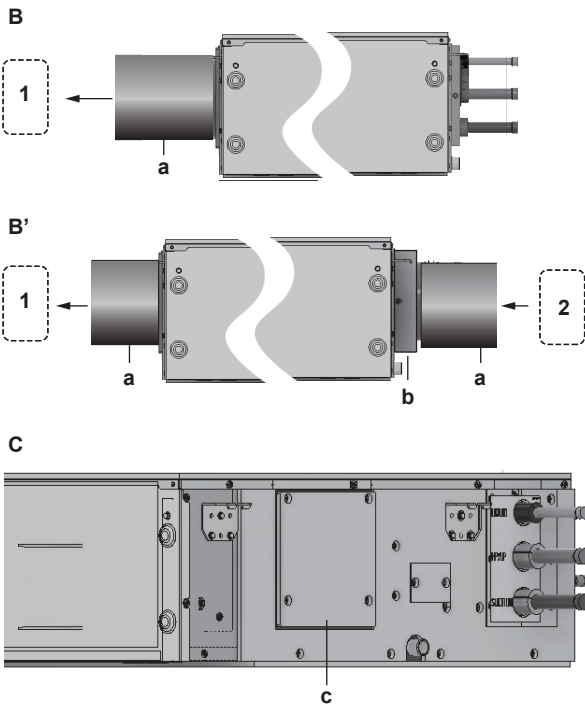
Refrigerant piping



- A Refrigerant piping connected to left side only
- B Refrigerant piping connected to right side only
- C Refrigerant piping connected to both sides (flow-through)
- 1 From outdoor or from BS unit
- 2 From outdoor or from/to BS unit
- a Stopper pipes (accessory)
- b Field piping (field supply)

Ducting





- A Default flow. Only ducting on the air outlet side. (Default configuration)
- A' Default flow. Ducting on both sides.
- B Reversed flow. Only ducting on the air outlet side.
- B' Reversed flow. Ducting on both sides.
- C No extraction ventilation installed.
- 1 To extraction fan or another BS unit
- 2 From another BS unit
- a Duct (field supply)
- b EKBSDCK (option kit)
- c Duct closing plate (accessory)

In case you need to reverse the airflow, switch the air inlet and outlet side. See "13.5.3 To switch the air in- and outlet side" [p. 28].



INFORMATION

Some options may require additional service space. See the installation manual of the used option before installation.

13.3 Opening and closing the unit

13.3.1 About opening the unit

Some situations in which you have to open the unit can be:

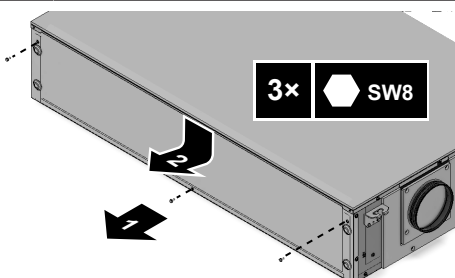
- When connecting the electrical wiring.
- When maintaining or servicing the unit.

13.3.2 To open the unit

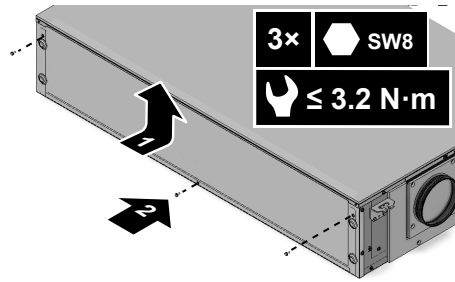


DANGER: RISK OF ELECTROCUTION

Do NOT leave the unit unattended when the service cover is removed.



13.3.3 To close the unit



13.4 Mounting the unit

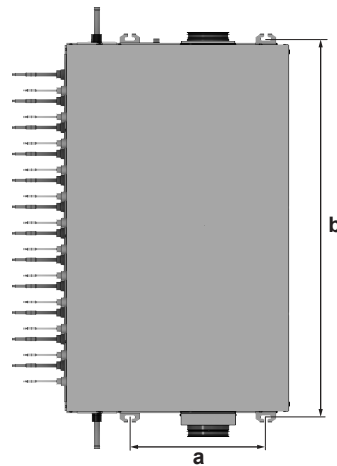
13.4.1 To mount the unit



INFORMATION

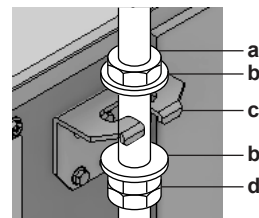
Optional equipment. When installing optional equipment, also read the installation manual of the optional equipment. Depending on the field conditions, it might be easier to install the optional equipment first.

- 1 Install four M8 or M10 suspension bolts into the ceiling slab. Respect the following distances:



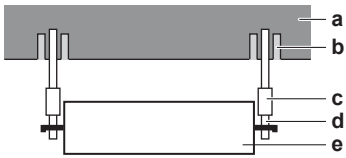
- a Suspension bolt pitch (length): 513 mm
- b Suspension bolt pitch (width):
630 mm (BS4A)
1030 mm (BS6~8A)
1430 mm (BS10~12A)

- 2 Install a nut, two washers and a double nut onto each suspension bolt. Leave enough space for maneuvering with the unit between the nut and double nut.
- 3 Position the unit by hooking the hanger brackets of the unit around the suspension bolts, in between the two washers.



- a Nut (field supply)
- b Washer (field supply)
- c Hanger bracket
- d Double nut (field supply)

13 Unit installation



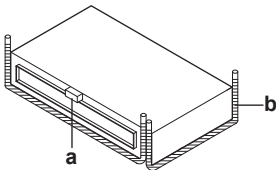
- a Ceiling slab
- b Anchor bolt
- c Long nut or turnbuckle
- d Suspension bolt
- e BS unit

- 4 Secure the unit by tightening the nut and double nut.
- 5 Level the unit at all four corners by turning the double nuts, the long nuts or the turnbuckles. Use a level or water-filled vinyl tube to measure if the unit hangs level. A deviation of maximum one degree is allowed in the direction of the drain socket and away from the switch box.

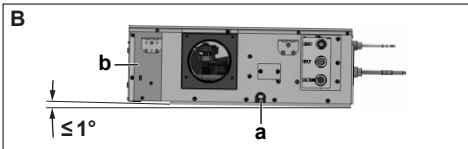
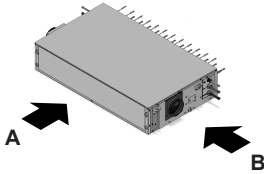


NOTICE

If the unit is installed at a bigger angle than allowed, water may drip from the unit.



- a Level
- b Water-filled vinyl tube



- a Drain socket
- b Switch box

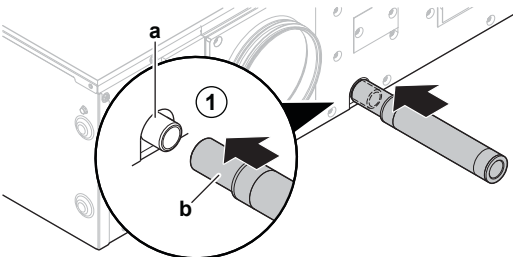
13.4.2 To connect the drain piping



NOTICE

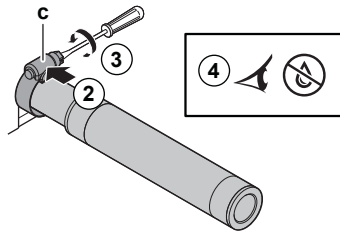
Incorrect connection of the drain hose might cause leaks, and damage the installation space and surroundings.

- 1 Push the drain hose as far as possible over the drain pipe connection.



- a Drain pipe connection (attached to the unit)
- b Drain hose (accessory)

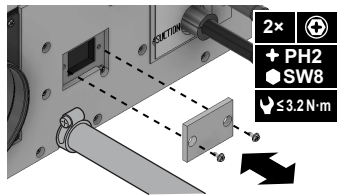
- 2 Position the metal clamp around the drain hose, as close to the unit as possible.
- 3 Tighten the metal clamp and bend the tip of the metal clamp so that the large, self-adhesive sealing pad (accessory) will not be forced outwards when applied.



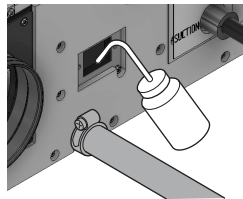
- c Metal clamp (accessory)

- 4 Check if the water drains correctly.

- Open the inspection hole by removing the inspection hole cover.



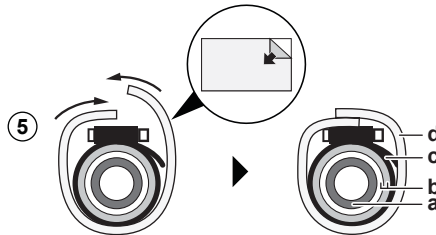
- Gradually add water through the inspection hole.



- Verify that the water flows through the drain hose and check for water leaks.
- Close the inspection hole.

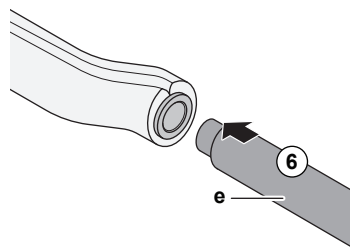
- 5 Wind the large, self-adhesive sealing pad (accessory) around the metal clamp and drain hose.

Note: Start on the screw part of the metal clamp, work your way around the clamp and end overlapping your starting point.



- a Drain pipe connection (attached to the unit)
- b Drain hose (accessory)
- c Metal clamp (accessory)
- d Large, self-adhesive sealing pad (accessory)

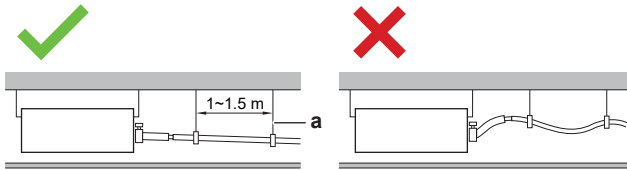
- 6 Connect the drain piping to the drain hose.



e Drain piping (field supply)

13.4.3 To install the drain piping

1 Install the drain piping with hanging bars as shown in the illustration.



✓ a Hanging bar Allowed
✗ Not allowed

2 Provide a downwards slope (at least 1/100) to prevent air from being trapped in the piping. If unable to provide an adequate slope for the drain, use the drain up kit (K-KDU303KVE).

3 Insulate the complete drain piping in the building to prevent condensation.

13.5 Installing the ventilation ducting

13.5.1 To install the ducting

The ducting is field supplied.

Ducting is only necessary in case the safety measures require a ventilated enclosure. See "12.4.4 Ventilated enclosure" [p 17].



WARNING

Do NOT install operating ignition sources (example: open flames, an operating gas appliance or an operating electric heater) in the ductwork.



CAUTION

If the metal duct passes through a metal lath, wire lath or metal plate of the wooden structure, separate the duct and wall electrically.

1 Connect the air outlet.

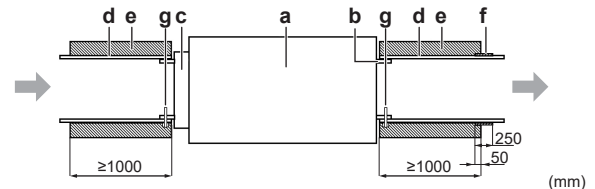
- Position a 160 mm duct of at least 1 m over the unit duct connection.
- Fix the duct to the duct connection with minimum 3 screws.
- Follow the instructions of the duct manufacturer for other connections.
- Install the first meter of the air outlet duct after the unit in such a way that it does not slope downward.
- Make sure the connections to the unit or any other connections in the system do not leak air.

2 In case of series configuration: connect the air inlet.

- Install option kit EKBSDCK onto the damper. See "11.4.2 Possible options for the BS unit" [p 12].
- Position a 160 mm duct over the option kit.
- Fix the duct to the option kit with minimum 3 screws.
- Follow the instructions of the duct manufacturer for other connections.
- Make sure the connections to the unit or any other connections in the system do not leak air.

3 Insulate the ducting with field supply thermal insulation and with the accessory sealing material (against condensation drops).

- Insulate at least the first meter of ducting against thermal losses with glass wool or polyethylene foam (field supply) with a minimum thickness according to the expected ambient conditions. See "14.2 Preparing refrigerant piping" [p 31].
- If both sides of the unit have ducting, insulate both sides.
- Install the accessory sealing material at the end of the field supply insulation of the air outlet. Apply the accessory sealing material under the field supply insulation. Create an overlap of 50 mm. If the entire outlet duct is thermally insulated from the unit to the outside wall, the accessory sealing material is not necessary.



a BS unit
 b Duct connection (air outlet)
 c Option kit EKBSDCK (air inlet)
 d Duct (field supply)
 e Insulation (field supply)
 f Sealing material (accessory)
 g Screw (field supply)

- Protect the ducting against reverse airflow from wind.
- Prevent that animals, debris and dust can enter the ducting.
- If necessary, separate the duct and wall electrically.
- Optionally: provide service holes in the ducting to make maintenance easier.
- Optionally: provide sound insulation. As the ducting is only used when a refrigerant leak has been detected, it is not necessary to insulate the ducting against noise. However, when the BS unit is installed in sound-sensitive areas where additional measures are taken, it can be advised to also insulate the ducting.

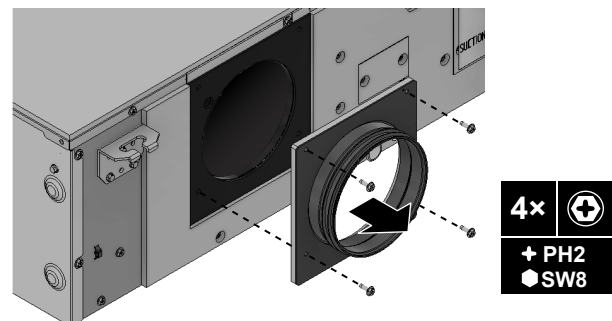
13.5.2 To install the duct closing plate

The duct closing plate is only allowed if it is not necessary to ventilate the enclosure for the BS unit. This means:

- when no safety measures are required, or
- when an external alarm is required.

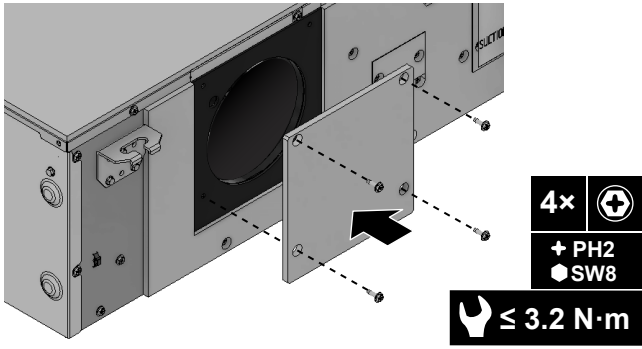
See "12.3 To determine the required safety measures" [p 13].

1 Remove the duct connection. Do not throw away the screws.



2 Install the duct closing plate (accessory) using the same 4 screws.

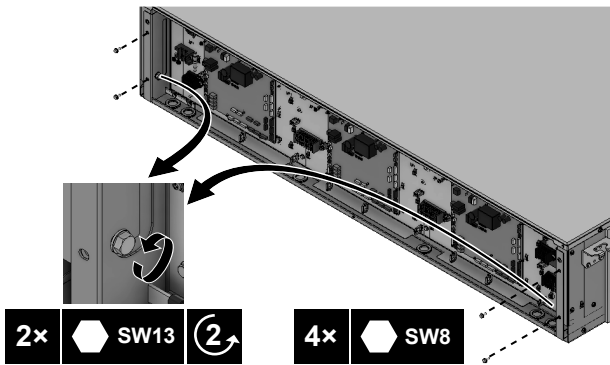
13 Unit installation



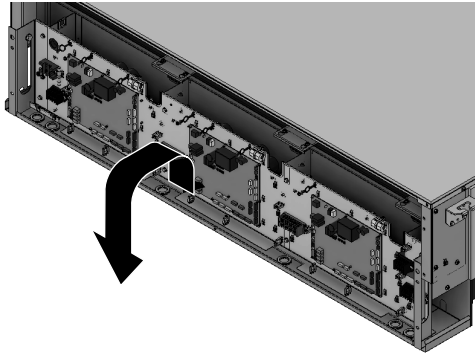
13.5.3 To switch the air in- and outlet side

To lower the switch box

- 1 Open the BS unit. See "13.3.2 To open the unit" [p. 25].
- 2 Remove the four screws.
- 3 Store the screws in a safe place.
- 4 Loosen the M8 bolts two turns without removing them.

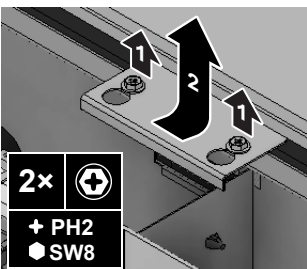


- 5 Lift the switch box, pull it forward and lower it.



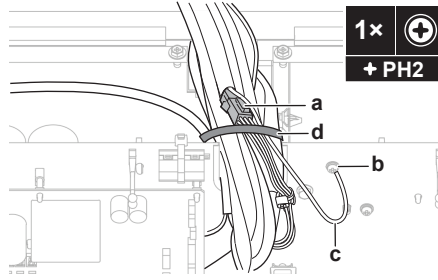
To remove the damper

- 1 Remove the leftmost wire fixing plate. It holds the damper wire in place.
 - Loosen the screws lightly without removing them.
 - Slide and lift the plate.



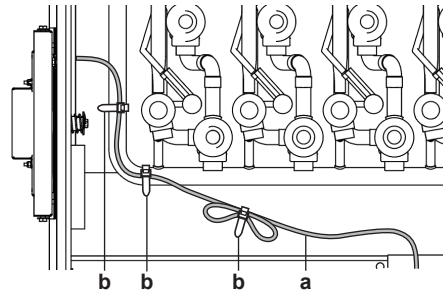
- 2 Loosen the damper wires in the switch box:

- Cut the cable tie that fixes the connector.
- Unplug the damper wire from the connector.
- Loosen and remove the damper earth wire screw and detach the damper earth wire.
- Store the screw in a safe place.



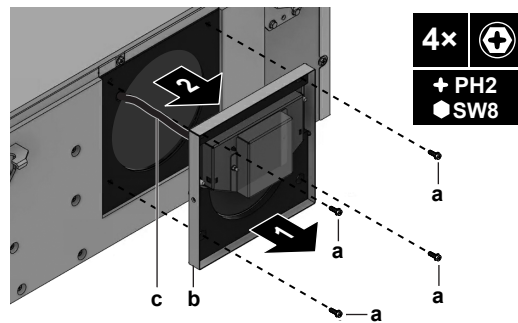
- a Connector
 b Earth wire screw
 c Damper earth wire
 d Cable tie

- 3 Cut the cable ties that fix the damper wire to the pipe, and the one that bundles the damper wire.



- 4 Remove the damper:

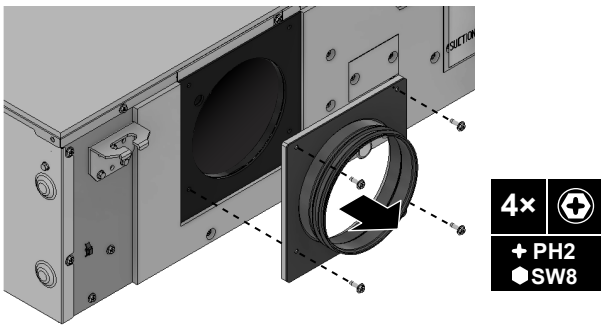
- Remove the four screws.
- Store the screws in a safe place.
- Pull the damper from the unit. Do not use excessive force, as the wires on the back of the damper can get stuck inside the unit.
- Carefully guide the wires from the inside to the outside through the small hole in the unit's metal plate. Take care not to damage the connector and the earth wire connection.



- a Screw
 b Damper
 c Damper wire

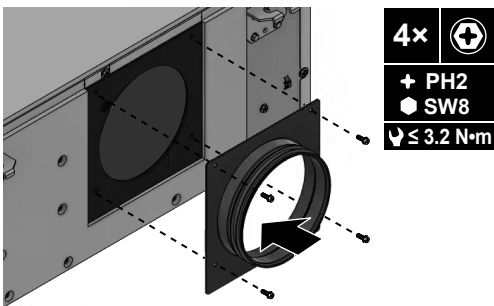
To remove the duct connection

- 1 Remove the four screws.
- 2 Store the screws in a safe place.
- 3 Pull the duct connection from the unit.



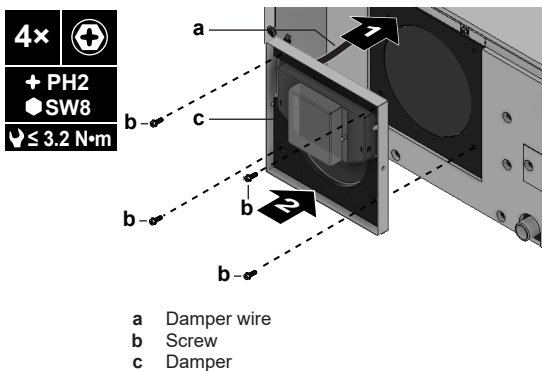
To install the duct connection

- 1 Position the duct connection onto the other side of the unit.
- 2 Attach the duct connection with four screws.



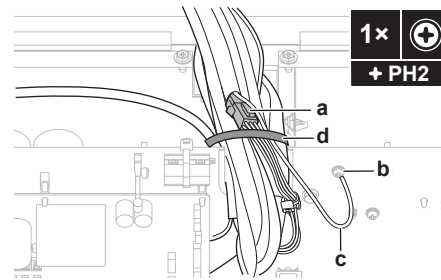
To install the damper

- 1 Install the damper on the other side of the unit:
 - Carefully guide the wires from the outside to the inside through the small hole in the unit's metal plate. Take care not to damage the connector and the earth wire connection.
 - Position the damper onto the unit. Take care not to pinch and damage the wires between the damper and the unit.
 - Pull the wires through until the foam insulation fits properly in the small hole in the unit's metal plate. This makes the connection airtight.
 - Attach the damper with four screws.



- a Damper wire
- b Screw
- c Damper

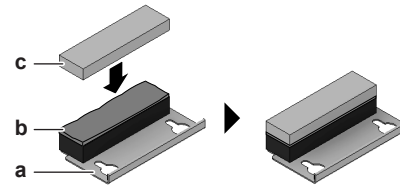
- 2 Connect the damper wires in the switch box:
 - Connect the damper wire to the connector.
 - Position the damper earth wire and tighten the damper earth wire screw.
 - Install a cable tie to fix the connector. Make sure the wire and connector do not touch any sharp edges.



- a Connector
- b Earth wire screw
- c Damper earth wire
- d Cable tie

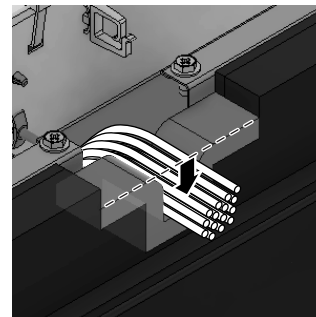
- 3 Install the leftmost wire fixing plate. It holds the damper wire in place.

- Restore the insulation of the wiring fixing plate by applying the small accessory insulation piece on top of the old, flattened insulation.

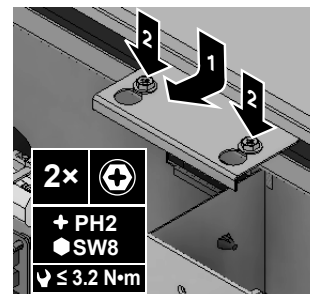


- a Wire fixing plate
- b Old flattened insulation
- c New insulation (accessory)

- Position the wires as far down as possible in the opening on top of which the wire fixing plate will be installed.



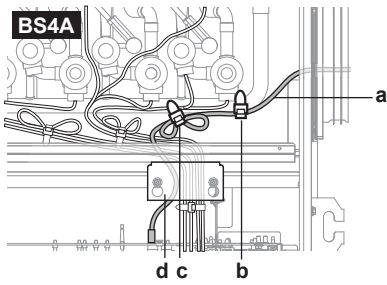
- Position the wire fixing plate over the screws and slide it in place. Make sure the backside is aligned properly with the insulation of the switch box, in order to make it airtight.
- Tighten the two screws.



- 4 Attach the damper wires.

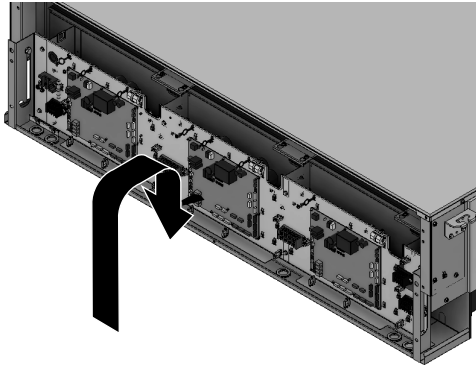
- Attach the damper wire on the refrigerant piping, in the indicated places. Make sure the wire is tight, but do not pull on it excessively.
- Leave 20 cm of wire between the fixation on the pipe and the entry into the switch box in order to be able to put back the switch box.
- Bundle the damper wire if needed.

14 Piping installation

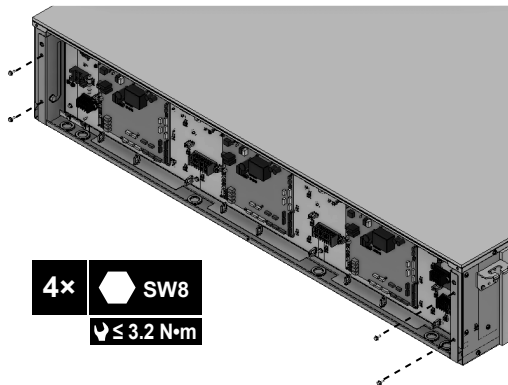


To re-install the switch box

- 1 Lift the switch box, slide it backwards and lower it a short distance.



- 2 Install and tighten the four screws. It is not required to tighten the M8 bolts again.



- 3 Close the BS unit. See "[13.3.3 To close the unit](#)" [▶ 25].

14 Piping installation

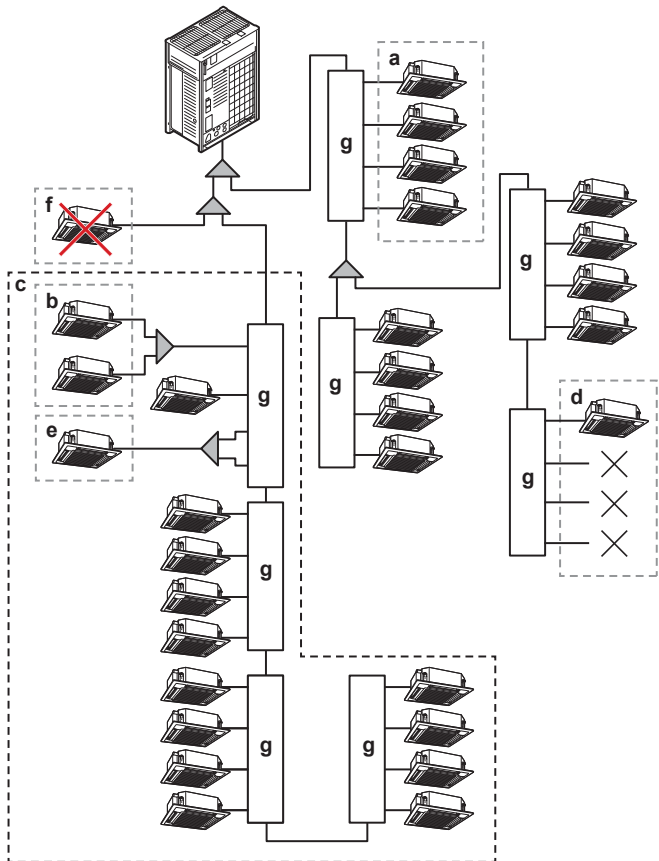


CAUTION

See "[2 Specific installer safety instructions](#)" [▶ 4] to make sure this installation complies with all safety regulations.

14.1 Installation limitations

The illustration and table below show the installation limitations.

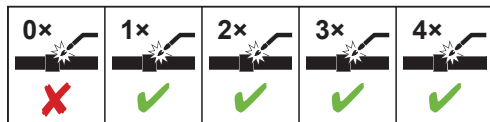
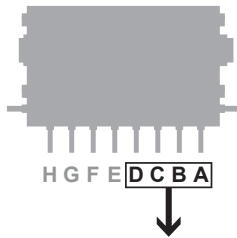


- a, b See table below.
- c Maximum limit of 16 downstream ports of BS units in refrigerant flow-through. Unused ports must also be counted. E.g. 16 ports=BS12A+BS4A or BS8A+BS4A+BS4A
- d At least one indoor unit must be connected to a BS unit (BS6~12A: always start from one of the first four ports).
- e Combine two ports when indoor unit capacity is over 140. Refer to the table below.
- f Cooling only indoor units cannot be installed. All indoor units must be connected to the branch pipes of a BS unit
- g BS unit

Description	Model				
	BS4A	BS6A	BS8A	BS10A	BS12A
Maximum number of connectable indoor units per BS unit (a)	20	30	40	50	60
Maximum number of connectable indoor units per BS unit branch (b)	5				
Maximum capacity index of connectable indoor units per BS unit (a)	400	600	750		
Maximum capacity index of connectable indoor units per branch (b)	140				
Maximum capacity index of connectable indoor units per branch if 2 branches are combined (e)	250				
Maximum capacity index of indoor units connected to BS units in refrigerant flow-through (c)	750				
Maximum number of allowable BS units in refrigerant flow-through (c)	4				
Maximum number of ports of BS units in refrigerant flow-through (c)	16				
Maximum number of indoor units connected to BS units in refrigerant flow-through (c)	64				

14.1.1 Piping installation limitation

In case of models **BS6A**, and **BS8A**, **BS10A** and **BS12A**: at least one of the first four ports of the BS unit **MUST** be connected. In case none of the first four ports are connected, the 7-segment display will show 'Err'.



Model	Branch pipe port											
	L	K	J	I	H	G	F	E	D	C	B	A
BS6A								free use	≥1 port MUST be connected			
BS8A							free use					
BS10A						free use						
BS12A					free use							

14.2 Preparing refrigerant piping

14.2.1 Refrigerant piping requirements



NOTICE

The piping and other pressure-containing parts shall be suitable for refrigerant. Use phosphoric acid deoxidised seamless copper for refrigerant piping.

- Foreign materials inside pipes (including oils for fabrication) must be ≤30 mg/10 m.

14.2.2 Refrigerant piping material

Piping material

Phosphoric acid deoxidised seamless copper

Piping temper grade and thickness

Outer diameter (Ø)	Temper grade	Thickness (t) ^(a)	
6.4 mm (1/4")	Annealed (O)	≥0.80 mm	
9.5 mm (3/8")			
12.7 mm (1/2")			
15.9 mm (5/8")	Annealed (O)	≥0.99 mm	
19.1 mm (3/4")	Half hard (1/2H)	≥0.80 mm	
22.2 mm (7/8")			
28.6 mm (1 1/8")	Half hard (1/2H)	≥0.99 mm	

^(a) Depending on the applicable legislation and the maximum working pressure of the unit (as indicated on the unit nameplate), larger piping thickness might be required.

14.2.3 Refrigerant piping insulation

- Use polyethylene foam as insulation material:
 - with a heat transfer rate between 0.041 and 0.052 W/mK (0.035 and 0.045 kcal/mh°C)
 - with a heat resistance of at least 120°C
- Insulation thickness:

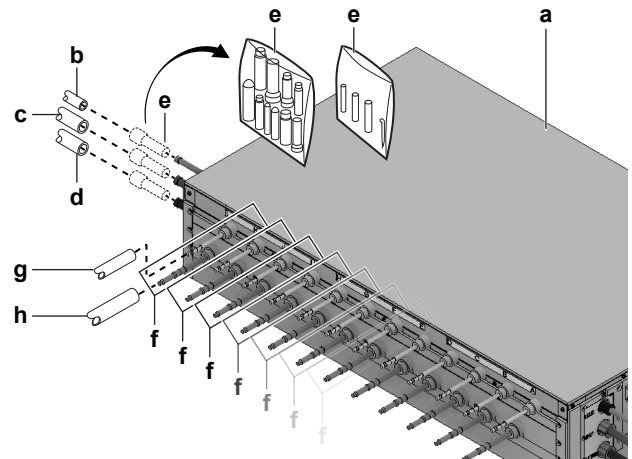
Ambient temperature	Humidity	Minimum thickness
≤30°C	75% to 80% RH	15 mm
>30°C	≥80% RH	20 mm

14.3 Connecting the refrigerant piping



DANGER: RISK OF BURNING/SCALDING

14.3.1 To connect the refrigerant piping



- a BS unit
- b Liquid pipe (field supply)
- c HP/LP gas pipe (field supply)
- d Suction gas pipe (field supply)
- e Reducing joints and insulation tubes (accessory)
- f Indoor unit connection set
- g Liquid pipe (field supply)
- h Gas pipe (field supply)



WARNING

Bent header or branch pipes can lead to refrigerant leakage. **Possible consequence:** asphyxiation, suffocation and fire.

- NEVER bend the branch and header pipes sticking out of the unit. They have to remain straight.
- ALWAYS support the branch and header pipes at a distance of 1 m from the unit.

Prerequisite: Mount the indoor, outdoor and BS units.

Prerequisite: Read the instructions in the outdoor unit's manual for information on how to install piping between the outdoor unit and the BS unit, selecting a refrigerant branch kit, and installing piping between the refrigerant branch kit and the BS units.

Prerequisite: Read the instructions in the indoor unit's manual for information on how to install piping between the indoor unit and the BS unit.

Prerequisite: When connecting piping, respect the guidelines for pipe bending and brazing.

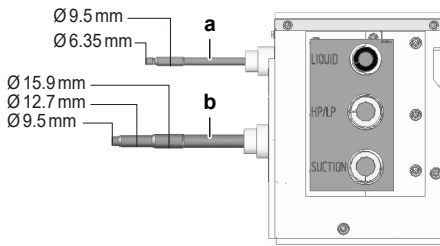
Prerequisite: Remove the yellow paper from around the header pipes to avoid fire during brazing.

- Connect the header pipes to the appropriate field supply pipes. The type of pipe is indicated on the removed yellow paper. Use a reducing joint (accessory) if the field supply pipe size does not match the header pipe size of the BS unit. The diameters of the header pipes of the BS unit are:

- Liquid pipe: 15.9 mm
- HP/LP gas pipe: 22.2 mm
- Suction gas pipe: 22.2 mm

- If necessary, cut the branch pipes as indicated in the illustration below. The diameters of the branch pipes of the BS unit are indicated in the illustration.

15 Electrical installation



- a Liquid branch pipe
- b Gas branch pipe

- 3 Connect the branch pipes. The liquid and gas branch pipe diameters to be used depend on the connected indoor unit capacity class. For information on which branch pipes to connect, see ["To set the DIP switches when joining branch pipe ports"](#) [▶ 35].
- 4 Install stopper pipes (accessory) for unused header pipes (when the BS unit is not connected in refrigerant flow-through with another BS unit) and unused branch pipes (when no indoor unit is connected to that branch pipe port).

14.3.2 Joining branch pipe ports

To make a connection with e.g. FXMA200A and FXMA250A, join branches with joint kit EKBSJK. Only the following combinations are possible. E.g.: it is not possible to join ports B and C.

Model	Possible port combinations			
BS4A	A+B	C+D		
BS6A			E+F	
BS8A			G+H	
BS10A			I+J	
BS12A			K+L	

Note: When using the joint kit, change the DIP switch settings. See ["15.4 To set the DIP switches"](#) [▶ 35].

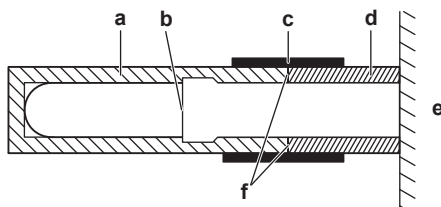
14.4 To insulate the refrigerant piping

After finishing the leak test and vacuum drying, the piping must be insulated. Take into account the following points:

To insulate stopper pipes

In case of stopper pipes: install stopper pipe insulation tubes (accessory). Adding additional insulation might be required depending on the ambient conditions. Follow the rules for the total minimum insulation thickness.

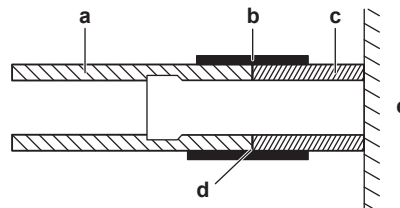
- 1 Attach an insulation tube against the tube on the BS unit.
- 2 Apply a tape to close the seam so that air does not enter.



- a Insulation tube (accessory)
- b Cut surface (branch pipes only)
- c Tape (field supply)
- d Insulation tube (attached to the BS unit)
- e BS unit
- f Adherence surface

To insulate the header and branch pipes (standard insulation)

The header pipes and branch pipes **MUST** be insulated (field supply). Make sure that the insulation is properly mounted over the header and branch pipes of the unit as shown in the image below. Always use tape (field supply) to prevent air gaps in the seam between the insulation tubes.

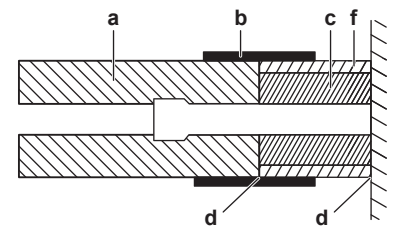


- a Insulation tube (field supply)
- b Tape (field supply)
- c Insulation tube (BS unit)
- d Adherence surface
- e BS unit

- 1 Install an insulation tube (a) over the pipe and against the insulation tube (c) on the BS unit.
- 2 Apply tape (b) to close the seam.

To insulate the header and branch pipes (extra insulation)

Depending on ambient conditions (see ["14.2.3 Refrigerant piping insulation"](#) [▶ 31]), it can be required to add extra insulation material. Make sure that the insulation is properly mounted over the header and branch pipes of the unit as shown in the image below. In order to level out the difference in thickness, an extra insulation tube must be installed over the insulation tube coming out of the unit. Always use tape (field supply) to prevent air gaps in the seam between the insulation tubes.



- a Insulation tube (extra thick)(field supply)
- b Tape (field supply)
- c Insulation tube (BS unit)
- d Adherence surface
- e BS unit
- f Insulation tube for levelling out thickness (field supply)

- 1 Install an insulation tube (a) over the pipe and against the insulation tube (c) on the BS unit.
- 2 Attach an extra layer of insulation tube (f) to level out the thickness.
- 3 Apply tape (b) to close the seam.

15 Electrical installation



CAUTION

See ["2 Specific installer safety instructions"](#) [▶ 4] to make sure this installation complies with all safety regulations.

15.1 Specifications of standard wiring components



NOTICE

We recommend using solid (single-core) wires. If stranded wires are used, slightly twist the strands to consolidate the end of the conductor for either direct use in the terminal clamp or insertion in a round crimp-style terminal. Details are described in "Guidelines when connecting the electrical wiring" in the installer reference guide.

Field wiring consists of:

- power supply wiring (including earth),
- DIII interconnection wiring between units.



NOTICE

- Keep power supply wiring and interconnection wiring apart from each other. Interconnection wiring and power supply wiring may cross, but may NOT run parallel.
- In order to avoid any electrical interference, the distance between both wirings should ALWAYS be at least 50 mm.

Component		Model				
		BS4A	BS6A	BS8A	BS10A	BS12A
Power supply cable	MCA ^(a)	0.5	0.6	0.8	1.0	1.1
	Voltage	220-240 V				
	Phase	1~				
	Frequency	50 Hz				
	Wire size	Must comply with national wiring regulation. 3-core cable Wire size based on the rated current, but not less than 0.5 mm ² .				
Interconnection wiring	Voltage	220-240 V				
	Wire size	Only use harmonised wire providing double insulation and suitable for the applicable voltage. 2-core cable 0.75 mm ² -1.5 mm ² based on the current				
Recommended field fuse	6 A					
Residual current device	Must comply with applicable legislation.					

^(a) MCA=Minimum circuit ampacity. Stated values are maximum values.

Power supply wiring

The power supply wiring must be protected with the required safety devices, i.e. a main switch, a slow blow fuse on each phase and an earth leakage protector in accordance with the applicable legislation.

Selection and sizing of the wiring should be done in accordance with the applicable legislation based on the information mentioned in the table above.

Interconnection wiring

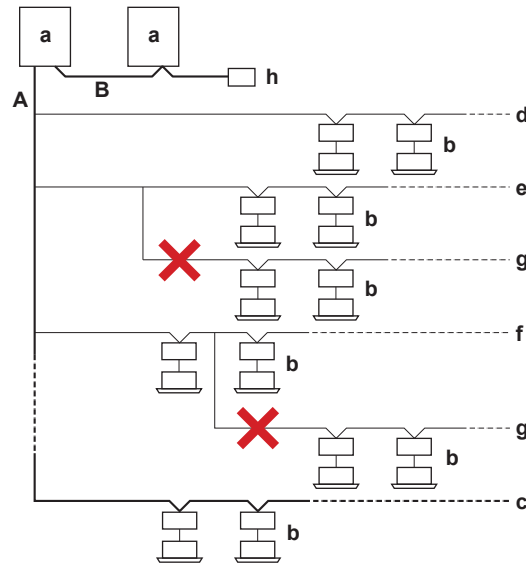
The interconnection wiring outside the unit should be wrapped and routed together with the field piping. See "15.3 To finish the electrical wiring" [p 35] for more information.

Selection and sizing of the wiring should be done in accordance with the applicable legislation based on the information mentioned in the table above.

Interconnection wiring specification and limits ^(a)	
Maximum wiring length between BS unit and indoor units	1000 m
Maximum wiring length between BS unit and outdoor unit	1000 m
Maximum wiring length between BS units	1000 m
Total wiring length	2000 m

^(a) If the total interconnection wiring exceeds these limits, communication errors might occur.

Up to 16 branches are possible for unit-unit cabling. No secondary branching are allowed after any interconnection wire branching.



- a Outdoor unit
- b Indoor unit + BS unit
- c Main line
- d Branch line 1
- e Branch line 2
- f Branch line 3
- g No branch is allowed after branch
- h Central user interface (etc. ...)
- A Outdoor/indoor interconnection wiring
- B Master/slave interconnection wiring

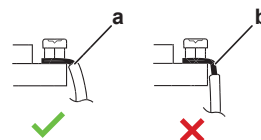
15.2 To connect the electrical wiring



NOTICE

- Follow the wiring diagram (delivered with the unit, located at the inside of the service cover).
- For instructions on how to connect the optional equipment, see the installation manual delivered with the optional equipment.
- Make sure the electrical wiring does NOT obstruct proper reattachment of the service cover.

- 1 Remove the service cover. See "13.3.2 To open the unit" [p 25].
- 2 Strip insulation from the wires.



- a Strip wire end to this point
- b Excessive strip length may cause electrical shock or leakage
- ✓ Allowed
- ✗ Not allowed

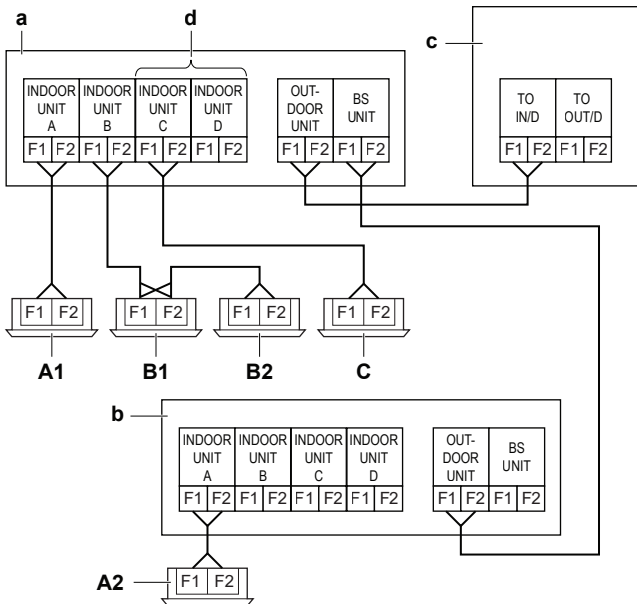
- 3 Connect the interconnection wiring as follows:

15 Electrical installation

- Connect the terminals F1/F2 (**TO IN/D**) on the control PCB in the outdoor unit's switch box to the terminals F1/F2 (**Outdoor unit**) on terminal block X2M of the first BS unit. See also the installation manual delivered with the outdoor unit.
- In case of multiple BS units in the system that are connected to the same interconnection wiring branch line, connect the terminals F1/F2 (**BS unit**) on terminal block X2M of the first BS unit to the terminals F1/F2 (**Outdoor unit**) on terminal block X2M on the second BS unit. Repeat the same procedure for further BS units, where each time the terminals F1/F2 (**BS unit**) on terminal block X2M on the nth BS unit are connected to the terminals F1/F2 (**Outdoor unit**) on terminal block X2M on the (n+1)th BS unit.
- Connect the terminals F1/F2 (**Indoor unit X**) on terminal blocks X3M~X5M to the corresponding indoor units:

In case of...	connect...
one indoor unit where branch pipes are NOT joined	the terminals F1/F2 (Indoor unit X) on the BS unit to the F1/F2 terminals on the corresponding indoor unit.
multiple indoor units connected to the same branch	the terminals F1/F2 (Indoor unit X) on the BS unit to the F1/F2 terminals on the first indoor unit. Connect the F1/F2 terminals on the first indoor unit to the F1/F2 terminals on the second indoor unit, and so on.
joined branch pipes	one of the two terminals F1/F2 (Indoor unit X) of the branches that are joined on the BS unit to the F1/F2 terminals on the corresponding indoor unit.

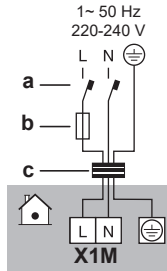
Example



- a BS unit 1
- b BS unit 2
- c Outdoor unit
- d When joining branch pipes C and D
- A1/A2 Indoor unit A connected to the branch pipe A of BS unit 1 and BS unit 2 respectively
- B1/B2 Indoor units B1 and B2 connected to the same branch pipe B of BS unit 1
- C Indoor unit C connected to joint branch pipes C and D of BS unit 1. The F1/F2 terminals of the indoor unit only have to be connected to one of the two F1/F2 terminals inside BS unit 1.

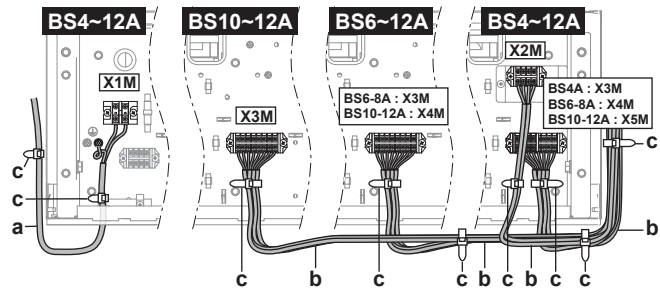
Note: The DIP switches of each control PCB in the BS unit switch box have to be set accordingly to the interconnection wiring. See "15.4 To set the DIP switches" [p. 35].

- Connect the power supply as follows. The earth wire needs to be attached to the cup washer:



- a Earth leakage circuit breaker
- b Fuse
- c Power supply cable

- Attach the cables (power supply and interconnection cables) with a cable tie to the provided fixation points. Route the wiring according to the illustration below.



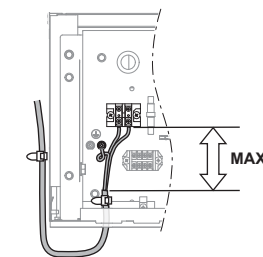
- a Power supply cable (field supply)
- b Interconnection cable (field supply)
- c Cable tie (accessory)

Guidelines

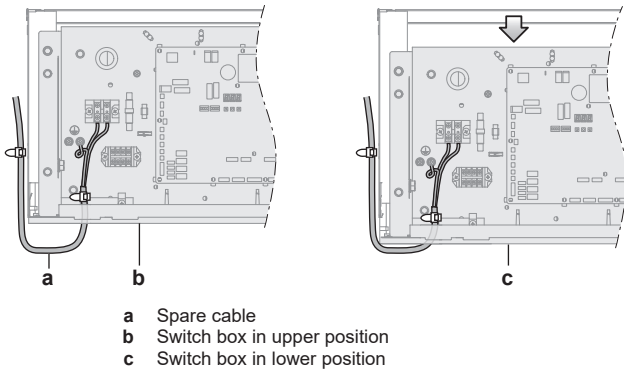
- Make sure the length of the earth wire between the fixation point and the terminal is longer than the length of the power supply wires between the fixation point and the terminal.



- Cut a slit in the rubber bushing where cables enter the switch box.
- Attach the cables onto the outer cable jacket and NOT onto the wires.
- Do NOT strip the outer cable jacket lower than the fixation point.



- Leave sufficient spare cable (±20 cm additionally) for all cables between the fixation point inside the switch box and the fixation point on the side of the BS unit. This spare cable is required to lower the switch box.



6 Reattach the service cover. See "13.3.3 To close the unit" [p. 25].

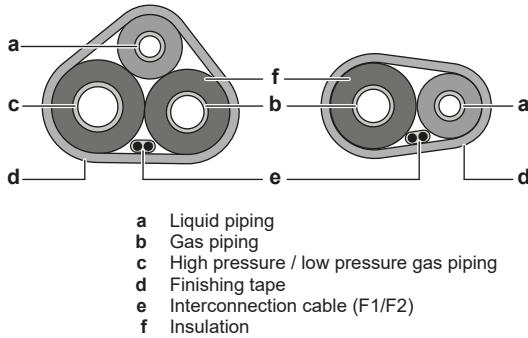


CAUTION

Be careful NOT to pinch cables between the service cover and the switch box.

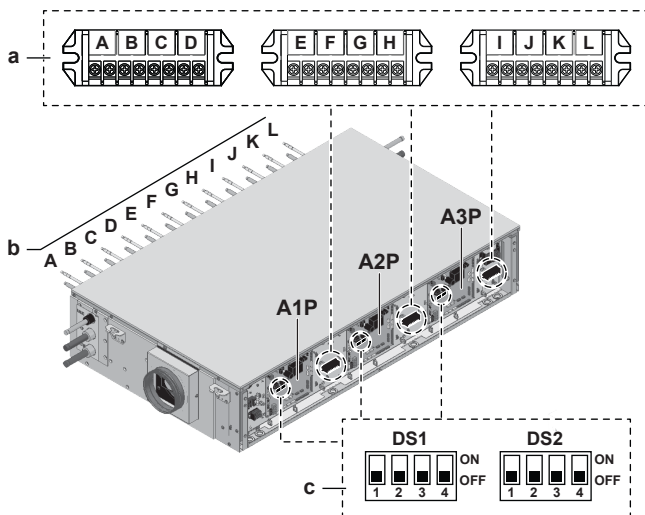
15.3 To finish the electrical wiring

After installing the interconnection wiring, wrap it along with the onsite refrigerant piping using finishing tape, as shown in the illustration below.



15.4 To set the DIP switches

The DIP switches are located on the PCBs A1P, A2P (BS6~12A) and A3P (BS10~12A).



- a Terminal for interconnection wiring to indoor unit
- b Branch pipe port (A, B, C, ...)
- c DIP switches

Note: When the error *UR-53* appears, check if the outdoor unit model name is REMA5+REYA8~20A7Y1B9 (mind the '9' at the end). If not, contact your dealer to update the software of the outdoor unit.

To set the DIP switches for branch pipe ports to which NO indoor unit is connected

Setting for branch pipe ports to which NO indoor unit is connected ^(a)													
	DS1 (A1P)				DS1 (A2P)				DS1 (A3P)				
	1	2	3	4	1	2	3	4	1	2	3	4	
BS4A	A	B	C	D									
BS6A					E	F							
BS8A							G	H					
BS10A									I	J			
BS12A											K	L	
Target branch pipe port													

^(a) ON=NOT connected / OFF=connected (factory default)

Example	When connecting an indoor unit to branch pipe ports A and B, but NOT connecting an indoor unit to branch pipe ports C and D.	
----------------	--	--

To set the DIP switches when joining branch pipe ports

This is required for connection with e.g. FXMA200 and FXMA250.

Setting when joining branch pipe ports ^(a)						
	DS2 (A1P)		DS2 (A2P)		DS2 (A3P)	
	1	2	1	2	1	2
BS4A	A+B		C+D			
BS6A			E+F			
BS8A					G+H	
BS10A					I+J	
BS12A					K+L	
Target branch pipe ports						

^(a) ON=joined / OFF=NOT joined (factory default)

Note: When joining branch pipe ports, ONLY the combinations in above table are possible. E.g.: it is NOT possible to join ports B and C.

Example	When joining branch pipe ports A and B.	
----------------	---	--

Examples

1.	When connecting an indoor unit to branch pipe ports A, B, and D, but NOT connecting an indoor unit to branch pipe port C.	
2.	When joining branch pipe ports A and B. Connecting an indoor unit to the joined branch pipe ports A and B, also to branch pipe port C, but NOT connecting an indoor unit to branch pipe port D.	

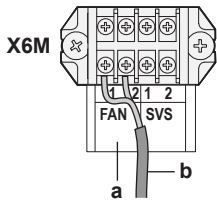
15.5 To connect the external outputs

FAN output (extraction fan)

The extraction FAN output is a contact on terminal X6M that closes in case a leak is detected, or when there is a failure or disconnection of the R32 sensor in the BS unit.

The FAN output must be used when a ventilated enclosure is required (see "12.3 To determine the required safety measures" [p. 13]).

16 Configuration



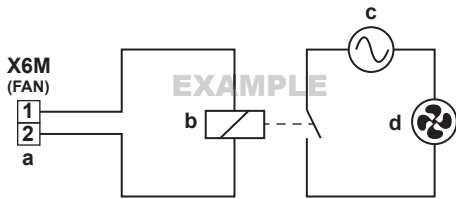
- a FAN output terminals (1 and 2)
- b Cable to extraction fan circuit

Select and dimension the wiring in accordance with the applicable legislation based on the information in the notice below:

NOTICE

The FAN output has a limited capacity of 220~240 V AC – 0.5 A.

Do NOT use the FAN output to directly power the fan. Instead, use the output to energise a relay that controls the fan circuit.

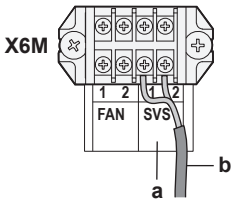


- a FAN output terminal
- b Relay
- c Extraction fan power supply
- d Extraction fan

SVS output (external alarm)

The SVS output is a potential-free contact on terminal X6M that closes in case a leak is detected in the BS unit.

The SVS output must be used when an external alarm is required (see "12.3 To determine the required safety measures" [p 13]).

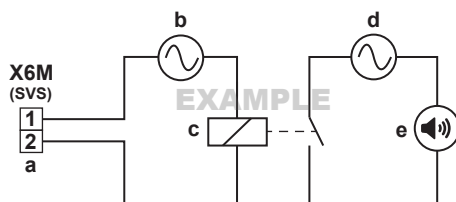


- a SVS output terminals (1 and 2)
- b Cable to external alarm circuit

NOTICE

The SVS output is a potential-free contact with a limited capacity of 220~240 V AC – 0.5 A.

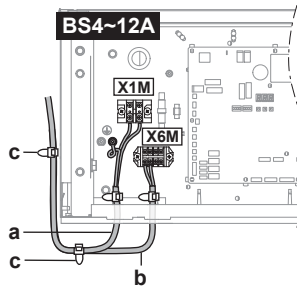
Do NOT directly use the SVS contact in the alarm circuit. Instead, use the SVS contact in conjunction with a power supply to energise a relay that controls the external alarm circuit.



- a SVS output terminal
- b Relay power supply
- c Relay
- d External alarm power supply
- e External alarm

Cable routing

Route the FAN or SVS output cable as indicated below. Leave ±20 cm additional length of cable to lower the switch box.



- a Power supply cable (field supply)
- b Output cable (FAN cable shown)(field supply)
- c Cable tie (accessory)

16 Configuration



DANGER: RISK OF ELECTROCUTION



INFORMATION

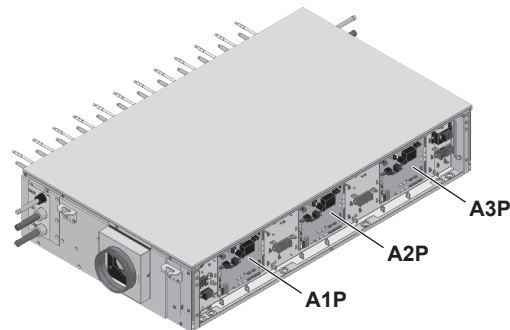
It is important that all information in this chapter is read sequentially by the installer and that the system is configured as applicable.

16.1 Making field settings

16.1.1 About making field settings

To configure the BS unit, you MUST give input to the BS unit's main PCBs (A1P, A2P and A3P, depending on the unit). This involves the following field setting components:

- Push buttons to give input to the PCB
- A display to read feedback from the PCB
- DIP switches



- A1P Main PCB A1P
- A2P Main PCB A2P (only for BS6~12A)
- A3P Main PCB A3P (only for BS10~12A)

Note: Some field settings need to be made on all main PCBs (A1P, A2P and A3P) of the same BS unit. For more information, see "16.1 Making field settings" [p 36].

Mode 1 – monitoring settings

Mode 1 can be used to monitor the current situation of the BS unit

Mode 2 – field settings

Mode 2 is used to change the field settings of the system. Consulting the current field setting value and changing the current field setting value is possible.

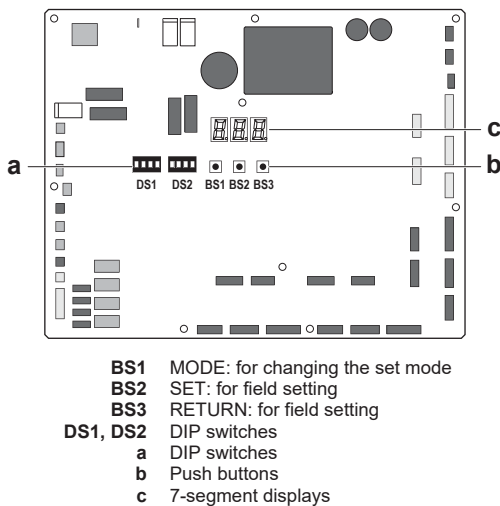
In general, normal operation can be resumed without special intervention after changing field settings.

16.1.2 To access the field setting components

See "13.3.2 To open the unit" [p 25].

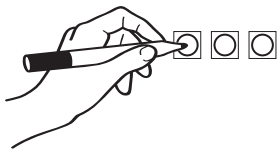
16.1.3 Field setting components

Location of the 7-segment displays and push buttons:



Push buttons

Use the push buttons to make the field settings. Operate the push buttons with an insulated stick (such as a closed ball-point pen) to avoid touching live parts.



7-segment displays

The display gives feedback about the field settings, which are defined as [Mode-Setting]=Value.

Example

Display	Description
	Default situation
	Mode 1
	Mode 2
	Setting 8 (in mode 2)
	Value 4 (in mode 2)

16.1.4 To access mode 1 or 2

Initialisation: default situation



NOTICE

Turn ON the power 6 hours before operation in order to have power running to the crankcase heater and to protect the compressor.

Turn on the power supply of the BS unit, outdoor unit and all indoor units. When the communication between BS units, indoor units and outdoor unit(s) is established and normal, the 7-segment display indication state will be as below (default situation when shipped from factory).

Stage	Display
Ready for operation: blank display indication as indicated.	

7-segment display indications:

	Off
	Blinking
	On

Access

BS1 is used to switch between the default situation, mode 1 and mode 2.

Access	Action
Default situation	
Mode 1	<ul style="list-style-type: none"> Push BS1 one time. The 7-segment display indication changes to: <ul style="list-style-type: none"> Push BS1 one more time to return to the default situation.
Mode 2	<ul style="list-style-type: none"> Push BS1 for at least 5 seconds. The 7-segment display indication changes to: <ul style="list-style-type: none"> Push BS1 one more time (short) to return to the default situation.



INFORMATION

If you get confused in the middle of the process, press BS1 to return to the default situation.

16.1.5 To use mode 1

Mode 1 is used to set basic settings and to monitor the status of the unit.

What	How
Changing and accessing the setting in mode 1	<ol style="list-style-type: none"> Push BS1 one time to select mode 1. Push BS2 to select the required setting. Push BS3 one time to access the selected setting's value.
To quit and return to the initial status	Push BS1.

Example:

Checking the content of parameter [1-2] (to know the software version).

[Mode-Setting]=Value in this case defined as: Mode=1; Setting=2; Value=the value we want to know/monitor:

- Make sure the 7-segment display indication is in the default situation (normal operation).
- Push BS1 one time.

Result: Mode 1 is accessed:

- Push BS2 two times.

Result: Mode 1 setting 2 is addressed:

- Push BS3 one time. The displays shows the software version.

16 Configuration

Result: Mode 1 setting 2 is addressed and selected, return value is monitored information.

- 5 Push BS1 one time to quit mode 1.

16.1.6 To use mode 2

Mode 2 is used to set field settings of the BS unit.


What	How
Changing and accessing the setting in mode 2	<ul style="list-style-type: none"> Push BS1 for more than five seconds to select mode 2. Push BS2 to select the required setting. Push BS3 one time to access the selected setting's value.
To quit and return to the initial status	Push BS1.
Changing the value of the selected setting in mode 2	<ul style="list-style-type: none"> Push BS1 for more than five seconds to select mode 2. Push BS2 to select the required setting. Push BS3 one time to access the selected setting's value. Push BS2 to select the required value of the selected setting. Push BS3 one time to validate the change. Push BS3 again to start operation with the chosen value.

Example:


Checking the content of parameter [2-7] (to enable or disable the ventilated enclosure function).

[Mode-Setting]=Value in this case is defined as: Mode=2; Setting=7; Value=the value we want to know/change.

- 1 Make sure the 7-segment display indication is in the default situation (normal operation).
- 2 Push BS1 for more than five seconds.

Result: Mode 2 is accessed: 

- 3 Push BS2 seven times (or push BS2 until seven appears on the 7-segment display).

Result: Mode 2 setting 7 is addressed: 

- 4 Push BS3 one time. The display shows the status of the setting (depending on the actual field situation). In the case of [2-7], the default value is "1", which means the ventilated enclosure function is enabled.

Result: Mode 2 setting 7 is addressed and selected, return value is the current setting situation.

- 5 To change the value of the setting, push BS2 until the required value appears on the 7-segment display.
- 6 Push BS3 one time to validate the change.
- 7 Push BS3 to start operation according to the chosen setting.
- 8 Push BS1 one time to quit mode 2.

16.1.7 Mode 1: monitoring settings

[1-0]

Shows the remaining lifetime of the R32 sensor.

The remaining lifetime is displayed in months ranging from 0 to 120.



INFORMATION

The sensor has a lifetime of 10 years. The user interface displays error "CH-22" 6 months before the end of the sensor lifetime and error "CH-23" after the end of the sensor lifetime. For more information, see the reference guide of the user interface and contact your dealer.

16.1.8 Mode 2: field settings

[2-0]

Setting to define if the BS unit belongs to a cluster or not.

In case the BS unit belongs to a parallel or series cluster, this setting has to be put on "1" to enable it. See "[12.4.4 Ventilated enclosure](#)" [▶ 17](#)].

[2-0] ^(a)	Description
0 (default)	Cluster disabled
1	Cluster enabled

^(a) Set on ALL main PCBs (A1P, A2P and A3P) of the BS unit.

[2-1]

Setting to define the cluster number the BS unit belongs to.

In case there are multiple clusters in the system, all BS units belonging to the same cluster need to have the same cluster number as value for this setting. BS units belonging to different clusters need to have a different cluster number.

[2-1] ^(a)	Description
0 (default)~15	Cluster number

^(a) Set on ALL main PCBs (A1P, A2P and A3P) of the BS unit.

[2-2]

Setting to define the cluster configuration the BS unit belongs to.

This can be either a parallel or series cluster. This setting must be configured for all BS units in the same cluster, and has to be the same value. See "[12.4.4 Ventilated enclosure](#)" [▶ 17](#)].

[2-2] ^(a)	Description
0 (default)	Parallel cluster
1	Series cluster

^(a) Set on ALL main PCBs (A1P, A2P and A3P) of the BS unit.

[2-3]

Setting to simulate a refrigerant leak.

- Choose value "1" during commissioning of the BS unit. This activates the safety measures of the BS unit and confirms that the safety measures are working as intended and are conform with the applicable legislation.
- After confirmation, reset it to value "0" and change setting [2-6] to confirm the completion of the commissioning check.

See "[17.2.1 About the BS unit test run](#)" [▶ 40](#)].

[2-3] ^(a)	Simulate refrigerant leak
0 (default)	OFF
1	ON

^(a) Set ONLY on the LEFTMOST main PCB (A1P) of the BS unit.

[2-4]

Setting to enable or disable all BS unit safety measures.

- Choose value "1" if safety measures are required (ventilated enclosure or external alarm).
- Choose value "0" if no safety measures are required.

See "[12.3 To determine the required safety measures](#)" [▶ 13](#)].

In case of "0", the output of the R32 sensor in the BS unit will be ignored, and there is no system response in case of a refrigerant leak in the BS unit.

[2-4] ^(a)	Safety measures
0	Disable
1 (default)	Enable
2	Temporarily disable (24 hours or until power reset)

^(a) Set ONLY on the LEFTMOST main PCB (A1P) of the BS unit.

[2-6]

Setting to confirm the completion of the commissioning check.

After confirmation that the safety measures of the BS unit are working as intended, this setting must be changed to "1".

The same setting is required for all BS units, even if no safety measures are installed. The test run of the outdoor unit checks if all BS units of the system have "1" as a value for this setting. If not, the 7-segment display of the outdoor unit shows an error.

[2-6] ^(a)	Commissioning check
0 (default)	Incomplete
1	Completed

^(a) Set ONLY on the LEFTMOST main PCB (A1P) of the BS unit.

[2-7]

Setting to enable or disable the ventilated enclosure safety measure of the BS unit.

- Choose value "1" if the ventilated enclosure is a necessary safety measure.
- Choose value "0" if only an external alarm is required.

See "12.3 To determine the required safety measures" [p. 13].

[2-7] ^(a)	Ventilated enclosure
0	Disable
1 (default)	Enable

^(a) Set ONLY on the LEFTMOST main PCB (A1P) of the BS unit.

[2-8]

Setting to assign an address value to the BS unit for the supervisor remote controller.

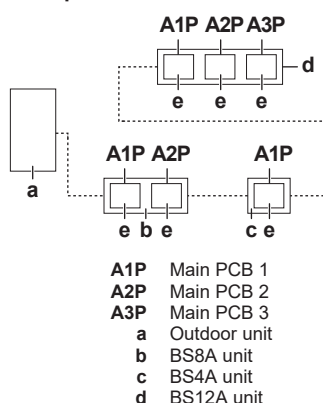
In case supervisor remote controllers are used in the system, it is necessary to assign an address value to the BS unit.

- Assign a different address to different BS units.
- Use address values that are NOT used in the system elsewhere (e.g. indoor units).
- Do not use address 00. The supervisor remote controller does not display errors from BS units with address 00.

[2-8] ^(a)	Description
00~FF (address in HEX format)	Address for supervisor remote controller

^(a) Set ONLY on the LEFTMOST main PCB (A1P) of the BS unit.

Example



- e** Address value for supervisor remote controller assigned to main PCB
- Interconnection wiring

The table below shows an example of address values assigned:

BS	Main PCB	Address value (e)
BS12A	A1P	01
	A2P	-
	A3P	-
BS8A	A1P	02
	A2P	-
BS4A	A1P	03

[2-9]

Setting to assign an address value to the BS unit for error handling.

Assign the same address to the main PCBs (A1P, A2P and A3P) of 1 BS unit, and another address to the other BS units.



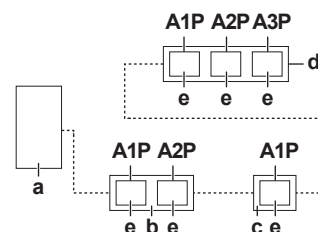
NOTICE

Field setting [2-9] is mandatory for all BS units and has to be made on all main PCBs (A1P, A2P and A3P) of the BS unit.

[2-9] ^(a)	Description
0 (default)~15	Address for error handling

^(a) Set on ALL main PCBs (A1P, A2P and A3P) of the BS unit.

Example



- A1P** Main PCB 1
- A2P** Main PCB 2
- A3P** Main PCB 3
- a** Outdoor unit
- b** BS8A unit
- c** BS4A unit
- d** BS12A unit
- e** Address value for error handling assigned to main PCB
- Interconnection wiring

The table below shows an example of address values assigned:

BS	Main PCB	Address value (e)
BS12A	A1P	1
	A2P	
	A3P	
BS8A	A1P	2
	A2P	
BS4A	A1P	3

[2-10]

Setting to enable or disable the external alarm output during the BS unit test run.

This setting is only to be used during the test run of the BS unit when a ventilated enclosure is used as a safety measure of the BS unit and an external alarm is added as an additional measure. During the BS unit test run, which is started by setting [2-3] to "1", the external fan and external alarm are both active. To disable the external alarm during the airflow rate measurements, change setting [2-10] to "1".

Once the BS unit test run is finished (setting [2-3] changed to "0"), setting [2-10] automatically returns to its default value "0".

17 Commissioning

[2-10] ^(a)	External alarm output forced OFF
0 (default)	Disable
1	Enable

^(a) Set ONLY on the LEFTMOST main PCB (A1P) of the BS unit.

17 Commissioning



CAUTION

See "2 Specific installer safety instructions" [▶ 4] to make sure commissioning complies with all safety regulations.



NOTICE

General commissioning checklist. Next to the commissioning instructions in this chapter, a general commissioning checklist is also available on the Daikin Business Portal (authentication required).

The general commissioning checklist is complementary to the instructions in this chapter and can be used as a guideline and reporting template during commissioning and hand-over to the user.

17.1 Checklist before commissioning

- 1 After the installation of the unit, check the items listed below.
- 2 Close the unit.
- 3 Power up the unit.

<input type="checkbox"/>	You have read the complete installation and operation instructions described in the installer and user reference guide .
<input type="checkbox"/>	The BS unit is properly mounted.
<input type="checkbox"/>	The field wiring has been carried out according to the instructions described in this document, according to the wiring diagram and according to the applicable national wiring legislation.
<input type="checkbox"/>	The drain piping is properly installed and insulated, and drainage flows smoothly. Check for water leaks. Possible consequence: condensate water might drip.
<input type="checkbox"/>	There are NO missing phases or reversed phases .
<input type="checkbox"/>	The system is properly earthed and the earth terminals are tightened.
<input type="checkbox"/>	The fuses or locally installed protection devices are installed according to this document, and have NOT been bypassed.
<input type="checkbox"/>	The power supply voltage matches the voltage on the identification label of the unit.
<input type="checkbox"/>	There are NO loose connections or damaged electrical components in the switch box.
<input type="checkbox"/>	In case no safety measures are required, the following measures are correctly applied: <ul style="list-style-type: none"> ▪ No safety measures are attached. ▪ The correct field settings are made.
<input type="checkbox"/>	In case an external alarm is required, the following safety measures are correctly applied: <ul style="list-style-type: none"> ▪ The external alarm is connected and powered. ▪ The correct field settings are made.

<input type="checkbox"/>	In case a ventilated enclosure is required, the following safety measures are correctly applied: <ul style="list-style-type: none"> ▪ The ducting is properly installed and insulated. ▪ The extraction fan is connected and powered. ▪ The air inlet (damper) is not obstructed. ▪ The correct field settings are made.
<input type="checkbox"/>	Also follow the outdoor unit's checklist. See the installation and operation manual delivered with the outdoor unit.

17.2 BS unit test run

17.2.1 About the BS unit test run

The BS unit test run has to be performed on all BS units in the system, before the test run of the outdoor unit. The BS unit test run has to confirm that the required safety measures are properly installed. Even when no safety measures are required, it is necessary to perform this BS unit test run and confirm the result, because the test run of the outdoor unit checks this confirmation for all BS units in the system.

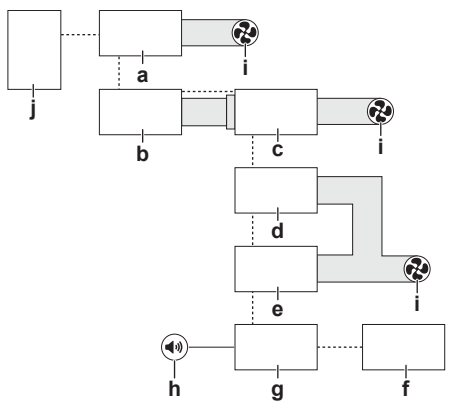
Depending on the safety measure and the configuration of the BS unit, it is required to perform the BS unit test run on a specific BS unit of the system.

Note: Do not perform a BS unit test run on more than one BS unit at a time.

- **No safety measure:** all BS units with no safety measures.
- **External alarm:** all BS units with an external alarm.
- **Ventilated enclosure – one BS unit to one extraction fan configuration:** all BS units with a ventilated enclosure – one-to-one configuration.
- **Ventilated enclosure – multiple BS units to one extraction fan, parallel configuration:** all BS units with a ventilated enclosure – parallel configuration.
- **Ventilated enclosure – multiple BS units to one extraction fan, series configuration:** only one BS unit with a ventilated enclosure – series configuration. Tip: choose the BS unit which is most upstream, where the air inlet (damper) is free and you can measure the airflow rate.

Example

In the example below: change the setting [2-3] to start the test run for the following BS units: a, b, d, e, f and g.



- a BS unit in one-to-one configuration
- b BS unit in series configuration
- c BS unit in series configuration
- d BS unit in parallel configuration
- e BS unit in parallel configuration
- f BS unit without safety measures
- g BS unit with external alarm
- h External alarm
- i Extraction fan
- j Outdoor unit
- Interconnection wiring

In case the safety measures demand a ventilated enclosure, the BS unit test run has to include a measurement of the actual extraction airflow rate to confirm that it meets the legal requirements.



NOTICE

It is very important that all refrigerant piping work is done before the units (outdoor, BS or indoor) are powered. When the units are powered, the expansion valves initialise. This means that the valves close.

If any part of the system had already been powered before, FIRST activate setting [2-21] on the outdoor unit to open the expansion valves again THEN power off the unit to conduct the BS unit test run.

17.2.2 About airflow requirements

When a ventilated enclosure is required, the following requirements apply:

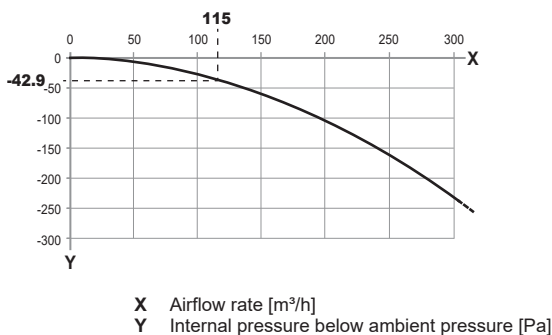
- pressure inside the BS unit has to be more than 20 Pa below the ambient pressure,
- minimum airflow rate:

Model	Minimum airflow rate [m³/h]
BS4A	90
BS6~8A	87
BS10~12A	77

Example

A BS12A unit with an airflow rate during the test run of 115 m³/h. The pressure drop graph shows that this results in an internal pressure which is 42.9 Pa below the ambient pressure. Both requirements are met:

- The pressure inside the BS unit is more than 20 Pa below the ambient pressure (42.9 Pa).
- The airflow rate is higher than 77 m³/h (115 m³/h).



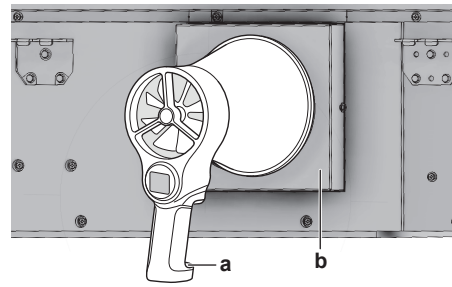
See the latest version of the technical engineering data for the BS unit's pressure drop curves.

17.2.3 About measuring the airflow rate

It is up to the installer to measure the airflow rate and provide correct data. We advise two ways in the sections below, but the installer is entirely free on how to perform the measurement.

About measuring with a vane anemometer

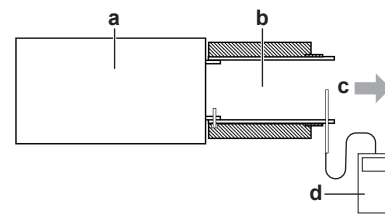
- Where: Measure the airflow rate at the air inlet (damper) of the BS unit.
- Tip: Use the duct connection kit (EKBSDCK) and an anemometer with a funnel to conduct the entire airflow through the anemometer.
- Postrequisite: Remove the kit once the measurement is finished.



a Vane anemometer
b Duct connection kit (EKBSDCK)

About measuring with a hot wire probe anemometer

- Attention: In case you need to drill holes in the ducting, choose a location without thermal insulation.
- Where: Measure the airflow rate in the duct connected to the air outlet of the BS unit.
- Postrequisite: Close the holes properly once the measurement is finished.



a BS unit
b Air outlet duct
c Direction airflow
d Hot wire probe anemometer

17.2.4 Prerequisite checklist

Check the following items before starting the BS unit test run.

<input type="checkbox"/>	You have read the complete installation and operation instructions described in the installer and user reference guide .
<input type="checkbox"/>	The BS unit is properly mounted.
<input type="checkbox"/>	The field wiring has been carried out according to the instructions described in this document, according to the wiring diagram and according to the applicable national wiring legislation.
<input type="checkbox"/>	The drain piping is properly installed and insulated, and drainage flows smoothly. Check for water leaks. Possible consequence: condensate water might drip.
<input type="checkbox"/>	There are NO missing phases or reversed phases .
<input type="checkbox"/>	The system is properly earthed and the earth terminals are tightened.
<input type="checkbox"/>	The fuses or locally installed protection devices are installed according to this document, and have NOT been bypassed.
<input type="checkbox"/>	The power supply voltage matches the voltage on the identification label of the unit.
<input type="checkbox"/>	There are NO loose connections or damaged electrical components in the switch box.
<input type="checkbox"/>	In case no safety measures are required, the following measures are correctly applied: <ul style="list-style-type: none"> No safety measures are attached. The correct field settings are made.
<input type="checkbox"/>	In case an external alarm is required, the following safety measures are correctly applied: <ul style="list-style-type: none"> The external alarm is connected and powered. The correct field settings are made.

18 Hand-over to the user

□	<p>In case a ventilated enclosure is required, the following safety measures are correctly applied:</p> <ul style="list-style-type: none"> ▪ The ducting is properly installed and insulated. ▪ The extraction fan is connected and powered. ▪ The air inlet (damper) is not obstructed. ▪ The correct field settings are made.
---	---

17.2.5 To perform a BS unit test run

See "16.1.8 Mode 2: field settings" [p 38] for more information on the settings that are used.

Respect the sequence indicated in "17.2.1 About the BS unit test run" [p 40]. Do not perform a test run on more than one BS unit at a time.

Prerequisite: All refrigerant piping work is finished.

- 1 Change field setting [2-3] to "1". This setting simulates a refrigerant leak and activates the safety measures according to the field settings that have been made. See "17.2.1 About the BS unit test run" [p 40] to check which units need a setting change.
- 2 In case of a configuration with an external alarm, check that the external alarm warns both audibly (15 dBA above the sound of the surroundings) and visibly.
- 3 In case of a configuration with a ventilated enclosure, measure the airflow rate. See "17.2.3 About measuring the airflow rate" [p 41] for more information.
- 4 In all configurations, check if no safety measures are activated that are not intended to activate.
- 5 Change field setting [2-3] to "0". This setting deactivates the test run.
- 6 Change field setting [2-6] to "1" for all BS units of the system, even those where the test run was not activated (e.g. downstream BS units in a ventilated enclosure series configuration). This setting confirms that the safety measures are working correctly and - in the case of ventilated enclosure – it confirms that the extraction airflow rate complies to the legal limits.

17.2.6 Troubleshooting during a BS unit test run

Symptom: The damper does not open

Possible causes	Corrective action
Incorrect field settings	Check if all field settings are made correctly. When in parallel or series configuration, the field settings of all BS units in a cluster need to be made correctly.
Damper wiring is loose	Reattach any loose damper wiring.
Damper blocked	Remove blocking objects.

Symptom: The extraction fan does not turn ON

Possible causes	Corrective action
Incorrect field settings	Check if all field settings are made correctly. When in parallel or series configuration, the field settings of all BS units in a cluster need to be made correctly.

Possible causes	Corrective action
Fan extraction circuit broken	<ul style="list-style-type: none"> ▪ Check that the circuit exists. ▪ Check that the circuit is connected correctly. ▪ Check that the circuit is powered.

Symptom: The airflow rate is too low

Possible causes	Corrective action
Incorrect field settings	<p>Check if all field settings are made correctly. When in parallel or series configuration, the field settings of all BS units in a cluster need to be made correctly.</p> <ul style="list-style-type: none"> ▪ When in parallel configuration: check that no dampers of other BS units in the same cluster have opened. ▪ When in series configuration: check that all dampers of other BS units in the same cluster have opened.
Flow blocked	Remove blocking objects.
Incorrect fan size	Check if the sizing of the fan is appropriate. Adapt if necessary.
Incorrect fan speed	Check if the fan has different speed settings. Select a higher speed if necessary.

17.3 System test run

17.3.1 Checklist before commissioning

Follow the outdoor unit's checklist. See the installation and operation manual delivered with the outdoor unit.

17.3.2 System test run



NOTICE

Do NOT interrupt the test run.



INFORMATION

- Perform the test run according to the instructions in the outdoor unit manual.
- The test run is only completed if there is no malfunction code displayed on the user interface or the outdoor unit 7-segment display.
- See the service manual for the complete list of error codes and a detailed troubleshooting guideline for each error.

18 Hand-over to the user

Once the test run is finished and the unit operates properly, make sure the following is clear for the user:

- Make sure that the user has the printed documentation and ask him/her to keep it for future reference. Inform the user that he/she can find the complete documentation at the URL mentioned earlier in this manual.
- Explain to the user how to properly operate the system and what to do in case of problems.
- Explain to the user only a certified installer is allowed to perform maintenance on the unit.

19 Maintenance and service

19.1 Before the maintenance and service of the BS unit

Before starting the maintenance and service, the following field setting must be applied on the **outdoor unit** in order to close the BS unit shut-off valves.

[2-45]

BS unit shut-off valve setting.

[2-45]	Description
0 (default)	Shut-off valve fully open
1	Shut-off valve fully closed

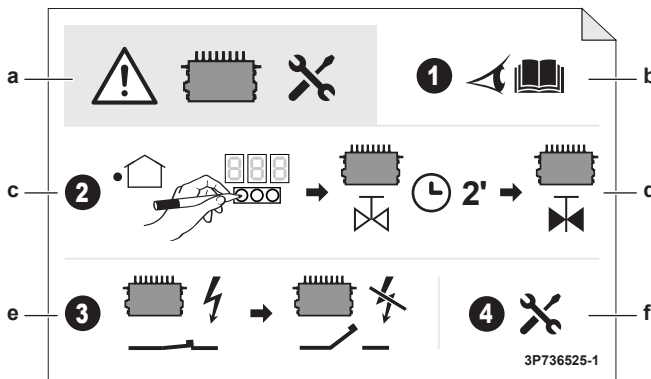
If field setting is applied, the shut-off valves of the BS unit will close. The compressor, outdoor fan and indoor unit will stop operating and the 7-segment display will show code "E0".

To confirm the full closure of the shut-off valves, "OH" will be shown on the 7-segment display of the outdoor unit.

The system power supply **MUST** be turned off for maintenance.

19.2 BS unit maintenance and service label

WARNING
Never power off the unit for maintenance and service before the shut-off valves are closed.



- a Caution for maintenance and servicing of BS unit
- b Consult the installation manual or service manual
- c Apply the field setting on the outdoor unit
- d Wait for two minutes to allow the system to close the valves
- e Turn off the system power
- f Perform maintenance and servicing on the BS unit

20 Troubleshooting

CAUTION
See "2 Specific installer safety instructions" [p 4] to make sure troubleshooting complies with all safety regulations.

20.1 Solving problems based on error codes

If the BS unit runs into a problem, the user interface of the indoor unit(s) connected to the BS unit displays an error code. It is important to understand the problem and to take measures before resetting an error code. This should be done by a licensed installer or by your local dealer.

This chapter gives you an overview of the most frequent error codes and their descriptions as they appear on the user interface.

INFORMATION
See the service manual for:

- The complete list of error codes
- A more detailed troubleshooting guideline for each error

20.1.1 Error codes: Overview

In case other error codes appear, contact your dealer.

Code	Description
R0-20	The R32 sensor has detected a refrigerant leak in the BS unit.
R01CH	Safety system error (leak detection)
R3-01	BS unit drain water abnormality (X15A is opened)
CH-21	BS unit R32 sensor malfunction
CH-22	Less than 6 months before the BS unit R32 sensor end of lifetime
CH-23	BS unit R32 sensor end of lifetime
E1-15	Malfunction of the BS unit's PCB
ER-27	BS unit damper malfunction
F9	Malfunction of the BS unit's electronic expansion valve
UR-52	BS unit power supply failure
UR-53	<ul style="list-style-type: none"> ▪ Check the DIP switches of the BS unit or ▪ Check if the outdoor unit model name is REMA5+REYA8~20A7Y1B9 (mind the '9' at the end)

21 Disposal

NOTICE
Do NOT try to dismantle the system yourself: dismantling of the system, treatment of the refrigerant, oil and other parts **MUST** comply with applicable legislation. Units **MUST** be treated at a specialised treatment facility for reuse, recycling and recovery.

22 Technical data

- A **subset** of the latest technical data is available on the regional Daikin website (publicly accessible).
- The **full set** of the latest technical data is available on the Daikin Business Portal (authentication required).

22.1 Wiring diagram

The wiring diagram is delivered with the unit, located at the inside of the service cover.

For applied parts and numbering, see the wiring diagram on the unit. Part numbering is by Arabic numbers in ascending order for each part and is represented in the overview below by "*" in the part code.

Symbol	Meaning	Symbol	Meaning
	Circuit breaker		Protective earth

22 Technical data

Symbol	Meaning	Symbol	Meaning
	Connection		Protective earth (screw)
	Connector		Rectifier
	Earth		Relay connector
	Field wiring		Short-circuit connector
	Fuse		Terminal
	Indoor unit		Terminal strip
	Outdoor unit		Wire clamp
	Residual current device		

Symbol	Colour	Symbol	Colour
BLK	Black	ORG	Orange
BLU	Blue	PNK	Pink
BRN	Brown	PRP, PPL	Purple
GRN	Green	RED	Red
GRY	Grey	WHT	White
		YLW	Yellow

Symbol	Meaning
A*P	Printed circuit board (PCB)
BS*	Pushbutton ON/OFF, operation switch
BZ, H*O	Buzzer
C*	Capacitor
AC*, CN*, E*, HA*, HE*, HL*, HN*, HR*, MR*_A, MR*_B, S*, U, V, W, X*A, K*R_*, NE	Connection, connector
D*, V*D	Diode
DB*	Diode bridge
DS*	DIP switch
E*H	Heater
FU*, F*U, (for characteristics, see PCB inside your unit)	Fuse
FG*	Connector (frame ground)
H*	Harness
H*P, LED*, V*L	Pilot lamp, light emitting diode
HAP	Light emitting diode (service monitor green)
HIGH VOLTAGE	High voltage
IES	Intelligent eye sensor
IPM*	Intelligent power module
K*	Contact
K*R, KCR, KFR, KHuR, K*M	Magnetic relay
L	Live
L*	Coil
L*R	Reactor
M*	Stepper motor
M*C	Compressor motor
M*D	Damper motor
M*F	Fan motor


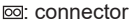
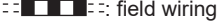

Symbol	Meaning
M*P	Drain pump motor
M*S	Swing motor
MR*, MRCW*, MRM*, MRN*	Magnetic relay
N	Neutral
n=*, N=*	Number of passes through ferrite core
NE*	Functional earth
PAM	Pulse-amplitude modulation
PCB*	Printed circuit board
PM*	Power module
PS	Switching power supply
PTC*	PTC thermistor
Q*	Insulated gate bipolar transistor (IGBT)
Q*C	Circuit breaker
Q*DI, KLM	Earth leak circuit breaker
Q*L	Overload protector
Q*M	Thermo switch
Q*R	Residual current device
R*	Resistor
R*T	Thermistor
RC	Receiver
S*C	Limit switch
S*L	Float switch
S*NG	Refrigerant leak detector
S*NPH	Pressure sensor (high)
S*NPL	Pressure sensor (low)
S*PH, HPS*	Pressure switch (high)
S*PL	Pressure switch (low)
S*T	Thermostat
S*RH	Humidity sensor
S*W, SW*	Operation switch
SA*, F1S	Surge arrester
SEG*	7-segment display
SR*, WLU	Signal receiver
SS*	Selector switch
SHEET METAL	Terminal strip fixed plate
T*R	Transformer
TC, TRC	Transmitter
V*, R*V	Varistor
V*R	Diode bridge, Insulated-gate bipolar transistor (IGBT) power module
WRC	Wireless remote controller
X*	Terminal
X*M	Terminal strip (block)
X*Y	Connector
Y*E	Electronic expansion valve coil
Y*R, Y*S	Reversing solenoid valve coil
Z*C	Ferrite core
ZF, Z*F	Noise filter

Specific BS unit wiring diagram legend

Symbol	Meaning
EVL	Electronic expansion valve (suction)
EVH	Electronic expansion valve (HP/LP)

Symbol	Meaning
EVSC	Electronic expansion valve (subcool)
EVSG	Electronic expansion valve (gas shut-off valve)
EVSL	Electronic expansion valve (liquid shut-off valve)
X15A	Connector (drain up kit abnormal signal)

Notes

- 1 This wiring diagram applies to the BS unit only.
- 2 Symbols:
: terminal block
: connector
: field wiring
: earth terminal
- 3 For wiring for the terminal block on X2M ~ X6M (operation), see the installation manual attached to the product.
- 4 For X15A (A1P), remove the short circuit connector and connect the air conditioner stop signal (optional product) when using the drain up kit (optional product). For details, see the operation manual attached to the kit.
- 5 The capacity of the contact is 220~240V AC-0.5A.
- 6 Digital output: max 220~240V AC-0.5A. To use this output, see the installation manual.
- 7 The factory settings of DIP switch (DS1, DS2) are as follows:

Model	DS1, DS2 factory settings
BS4A	<p>A1P</p> <p>DS1: ON OFF OFF OFF (1 2 3 4) DS2: ON OFF OFF OFF (1 2 3 4)</p>
BS6A	<p>A1P A2P</p> <p>DS1: ON OFF OFF OFF (1 2 3 4) DS2: ON OFF OFF OFF (1 2 3 4) DS1: ON OFF OFF OFF (1 2 3 4) DS2: ON OFF OFF OFF (1 2 3 4)</p>
BS8A	<p>A1P A2P</p> <p>DS1: ON OFF OFF OFF (1 2 3 4) DS2: ON OFF OFF OFF (1 2 3 4) DS1: ON OFF OFF OFF (1 2 3 4) DS2: ON OFF OFF OFF (1 2 3 4)</p>
BS10A	<p>A1P, A2P A3P</p> <p>DS1: ON OFF OFF OFF (1 2 3 4) DS2: ON OFF OFF OFF (1 2 3 4) DS1: ON OFF OFF OFF (1 2 3 4) DS2: ON OFF OFF OFF (1 2 3 4)</p>
BS12A	<p>A1P, A2P A3P</p> <p>DS1: ON OFF OFF OFF (1 2 3 4) DS2: ON OFF OFF OFF (1 2 3 4) DS1: ON OFF OFF OFF (1 2 3 4) DS2: ON OFF OFF OFF (1 2 3 4)</p>
To set the DIP switches (DS1~2) and push buttons (BS1~3), see the installation manual	

23 Glossary

Dealer

Sales distributor for the product.

Authorised installer

Technical skilled person who is qualified to install the product.

User

Person who is owner of the product and/or operates the product.

Applicable legislation

All international, European, national and local directives, laws, regulations and/or codes that are relevant and applicable for a certain product or domain.

Service company

Qualified company which can perform or coordinate the required service to the product.

Installation manual

Instruction manual specified for a certain product or application, explaining how to install, configure and maintain it.

Operation manual

Instruction manual specified for a certain product or application, explaining how to operate it.

Maintenance instructions

Instruction manual specified for a certain product or application, which explains (if relevant) how to install, configure, operate and/or maintain the product or application.

Accessories

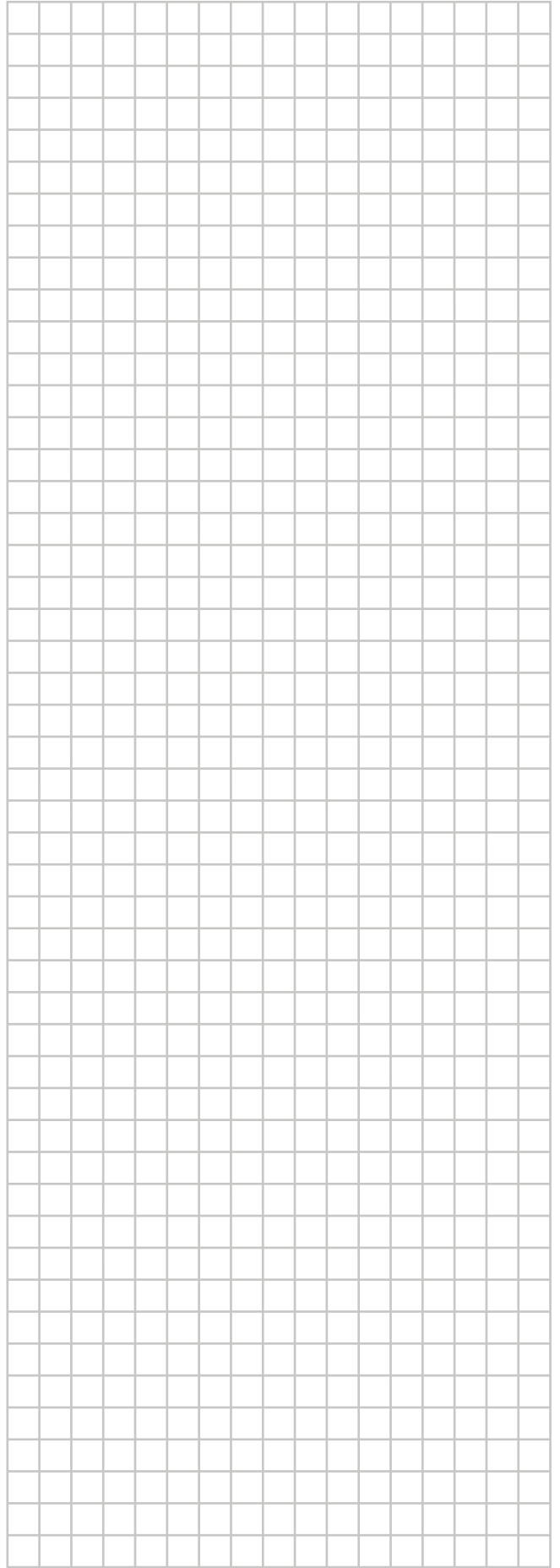
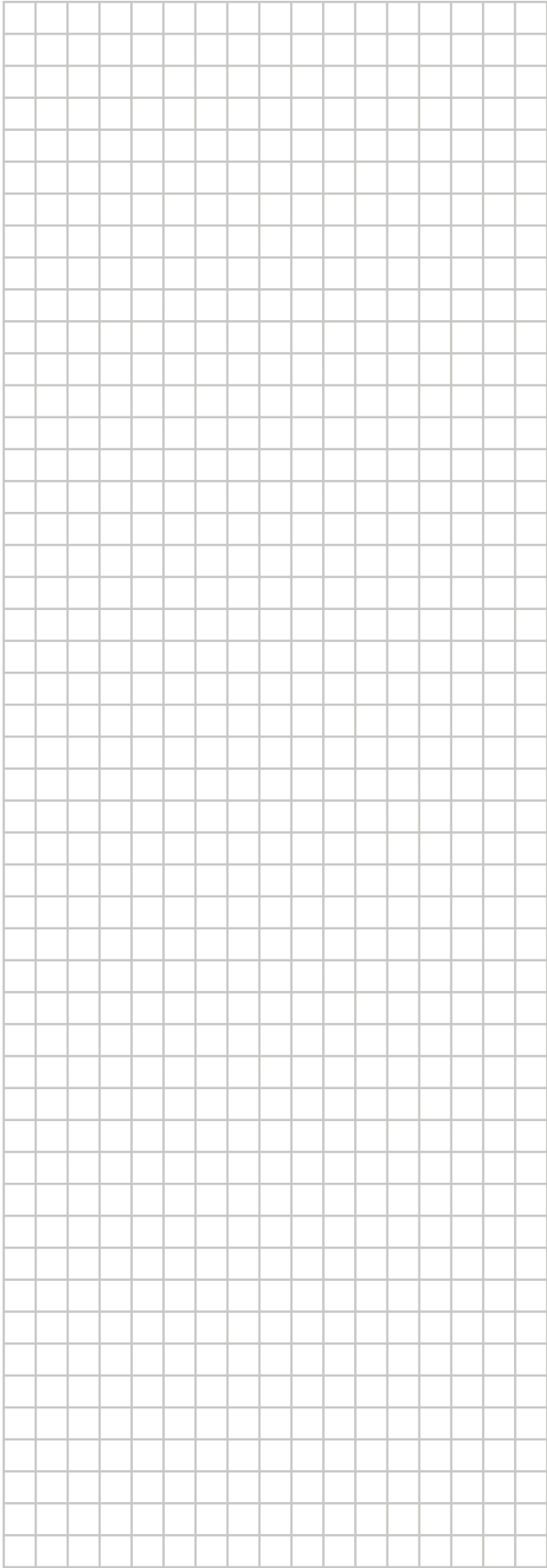
Labels, manuals, information sheets and equipment that are delivered with the product and that need to be installed according to the instructions in the accompanying documentation.

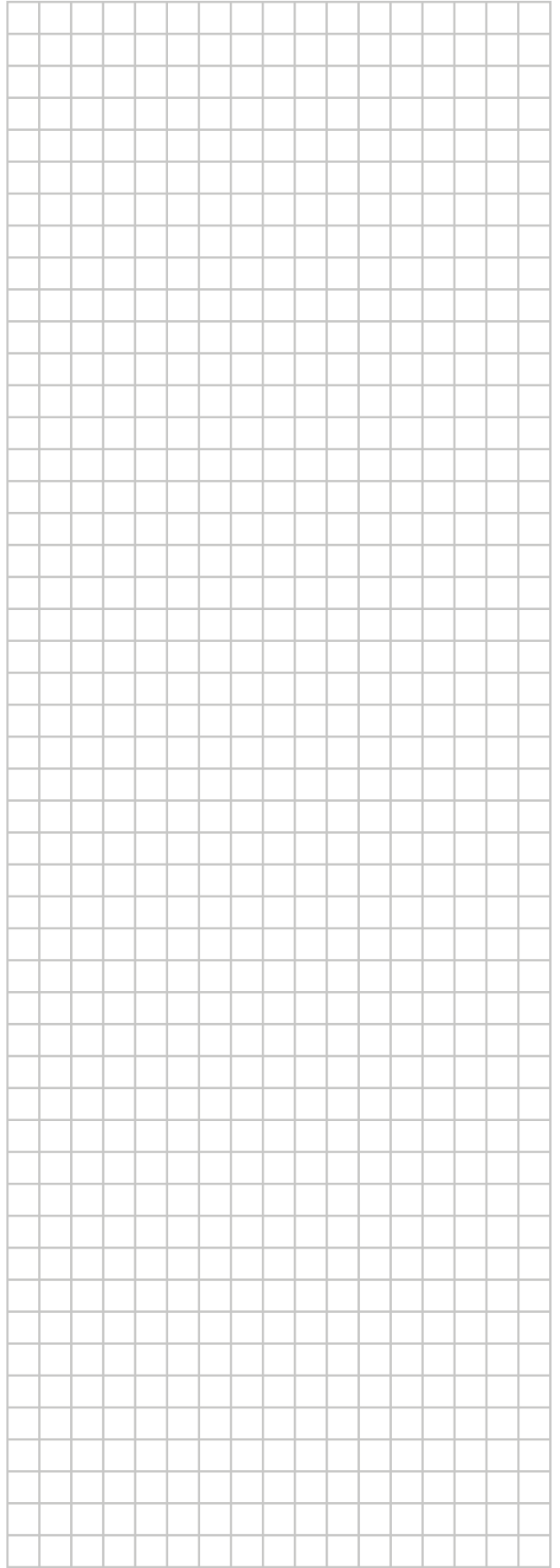
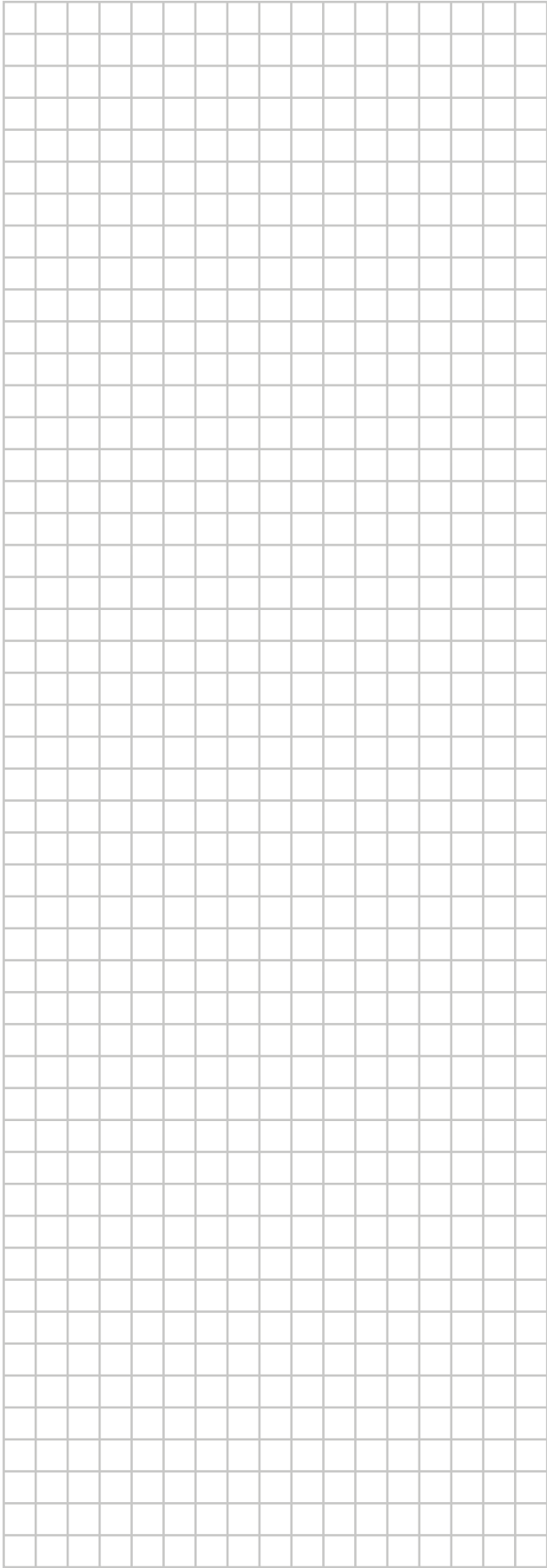
Optional equipment

Equipment made or approved by Daikin that can be combined with the product according to the instructions in the accompanying documentation.

Field supply

Equipment NOT made by Daikin that can be combined with the product according to the instructions in the accompanying documentation.





ERC



4P797565-1 0000000.

Copyright 2022 Daikin

DAIKIN EUROPE N.V.

Zandvoordestraat 300, B-8400 Oostende, Belgium

4P797565-1 2024.11