



Air Conditioners

# Heating & Cooling

**R-410A**

- » **'Plug-and-play'**  
for easy installation
- » **High efficiency**
- » **Wide operating range**
- » **Compact unit**
- » **Economiser option**  
for 'free cooling'  
and greater energy  
efficiency

Rooftop



[www.daikin.eu](http://www.daikin.eu)



UATYQ-CY1



## Rooftops R-410A: Features

- › Flexible air supply: Since all the units utilize an adjustable belt/ pulley driven supply air fan as standard, the units are able to meet a wide range of supply air volumes and external static pressures. Furthermore, the supply air fan motors, pulleys and belts (field supplied) can be easily changed on site to meet exact air flow and ESP requirement if required.
- › Refrigerant is pre-factory charged to ensure **clean and efficient operation**
- › **Electric heater connection**
- › Coil with **anti-corrosion treatment** (gold fin)
- › **Electronic expansion valve** for better control of the refrigerant flow
- › **Cut-off switch** for emergency power cut-off

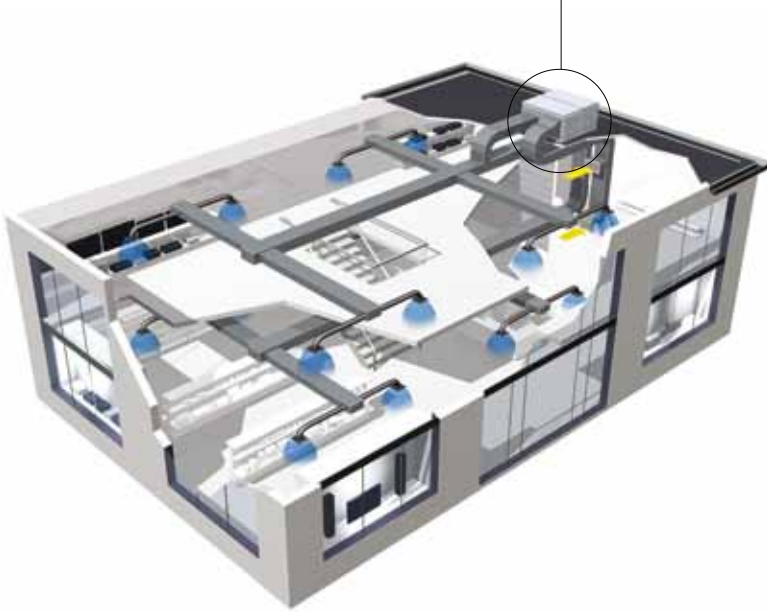
Control :

- › **Control panel** offered as standard
- › **Extended control length** up to 100m
- › Connectable to **Daikin control systems** (via option)

 Intelligent **Touch** Controller

 Intelligent **Manager**

### PLUG AND PLAY INSTALLATION



#### > **Plug and play installation**

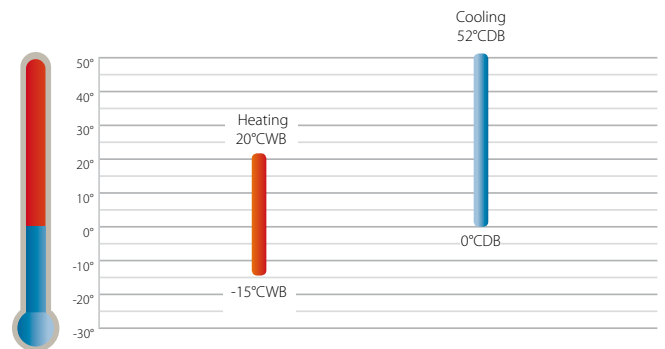
The single unit configuration requires no additional piping work as both the indoor and outdoor sides are pre-connected. Once the ductwork is installed, the only thing left to do is connect the unit.

#### > **High efficiency**

An EER up to 3.43 thanks to the combination of high efficient and reliable scroll compressors and R-410A refrigerant.

#### > **Wide operation range**

The UATYQ-CY1 series operate from 52°CDB down to 0°CDB in cooling and from 20°CWB down to -15°CWB in heating.

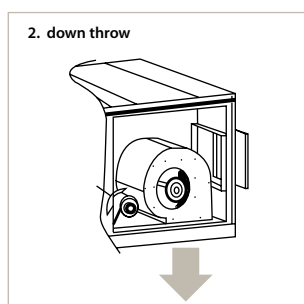
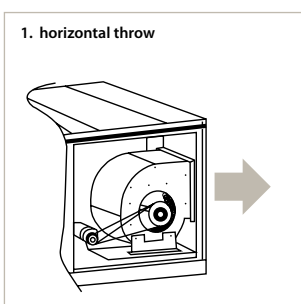


#### > **Compact unit**

The flat top design of the unit allows for maximum utilization of warehouse and container space

#### > **Field convertible return and supply air:**

Fan can be mounted in two directions



#### > **Cost-effective climate control with 'economiser' option**

The economizer option enables 'free cooling' and introduction of fresh air.

Free cooling takes place when the outside temperature is lower than the interior temperature. The outdoor air is there used as 'free' source of cooling.

Fresh air application is also possible. It allows to maintain a high-quality indoor environment. The connection to field supplied CO<sub>2</sub> sensors, that monitor the indoor air quality, regulates the amount of incoming fresh air.



## Heating & Cooling

OUTDOOR UNIT				UATYQ250CY1	UATYQ350CY1	UATYQ450CY1	UATYQ550CY1	UATYQ600CY1	UATYQ700CY1
Cooling capacity	Nom.		kW	27.340	35.580	44.720	55.690	66.820	72.600
Heating capacity	Nom.		kW	24.910	34.790	41.790	53.930	61.690	69.610
Power input	Cooling	Nom.	kW	8.140	10.780	13.040	16.740	19.650	21.610
	Heating	Nom.	kW	7.330	10.840	12.860	15.540	18.580	21.420
EER				3.36	3.30	3.43	3.33	3.40	3.36
COP				3.40	3.21	3.25	3.47	3.32	3.25
Evaporator	Air flow rate	Cooling	m <sup>3</sup> /min	-					
External static pressure			Pa	147				206	
Evaporator piping connections	Condensation drain size	OD	mm	25.4					
	Dimensions	Unit	HeightxWidthxDepth	mm	1,150x1,638x2,063	1,028x2,209x2,113	1,130x2,209x2,113	1,048x2,209x2,670	1,302x2,209x2,670
Condenser	Weight	Unit	kg	445	580	610	780	830	970
	Casing	Colour		Light grey					
		Material		Electro-galvanised mild steel					
	Air flow rate	Cooling	cfm	8,230	12,000	12,100	12,900	20,200	21,200
Operation range	Cooling	Min.~Max.	°CDB	0~52					
	Heating	Min.~Max.	°CWB	-15~-20					
Sound power level	Nom.		dB(A)	82	83	87	87	90	90
Refrigerant	Type			R-410A					
Power supply	Phase/Frequency/Voltage		Hz/V	3~/50/380-415					

ECONOMISER				ECONO250AMY1	ECONO350AMY1	ECONO450AMY1	ECONO550AMY1	ECONO600AMY1	ECONO700AMY1	
Dimensions	Packed unit	Height	mm	534						
		Width	mm	1,440	1,430		1,458			
		Depth	mm	1,144	1,124		1,564			
Weight	Unit	kg	51	42	43	53	54	69		
Packing	Weight		kg	152	140	141	165	166	181	
Fan	Air flow rate	Cooling	Nom.	l/s	1,560	2,030	2,670	3,160	3,445	3,917
				cfm	3,300	4,300	5,650	6,700	7,300	8,300
Option for				UATYQ250CY1	UATYQ350CY1	UATYQ450CY1	UATYQ550CY1	UATYQ600CY1	UATYQ700CY1	



Remote control as standard



Outdoor unit UATYQ-CY1



Daikin's unique position as a manufacturer of air conditioning equipment, compressors and refrigerants has led to its close involvement in environmental issues. For several years Daikin has had the intention to become a leader in the provision of products that have limited impact on the environment. This challenge demands the eco design and development of a wide range of products and an energy management system, resulting in energy conservation and a reduction of waste.



The present leaflet is drawn up by way of information only and does not constitute an offer binding upon Daikin Europe N.V. Daikin Europe N.V. has compiled the content of this leaflet to the best of its knowledge. No express or implied warranty is given for the completeness, accuracy, reliability or fitness for particular purpose of its content and the products and services presented therein. Specifications are subject to change without prior notice. Daikin Europe N.V. explicitly rejects any liability for any direct or indirect damage, in the broadest sense, arising from or related to the use and/or interpretation of this leaflet. All content is copyrighted by Daikin Europe N.V.

FSC

ECPEN11-120

Daikin products are distributed by: